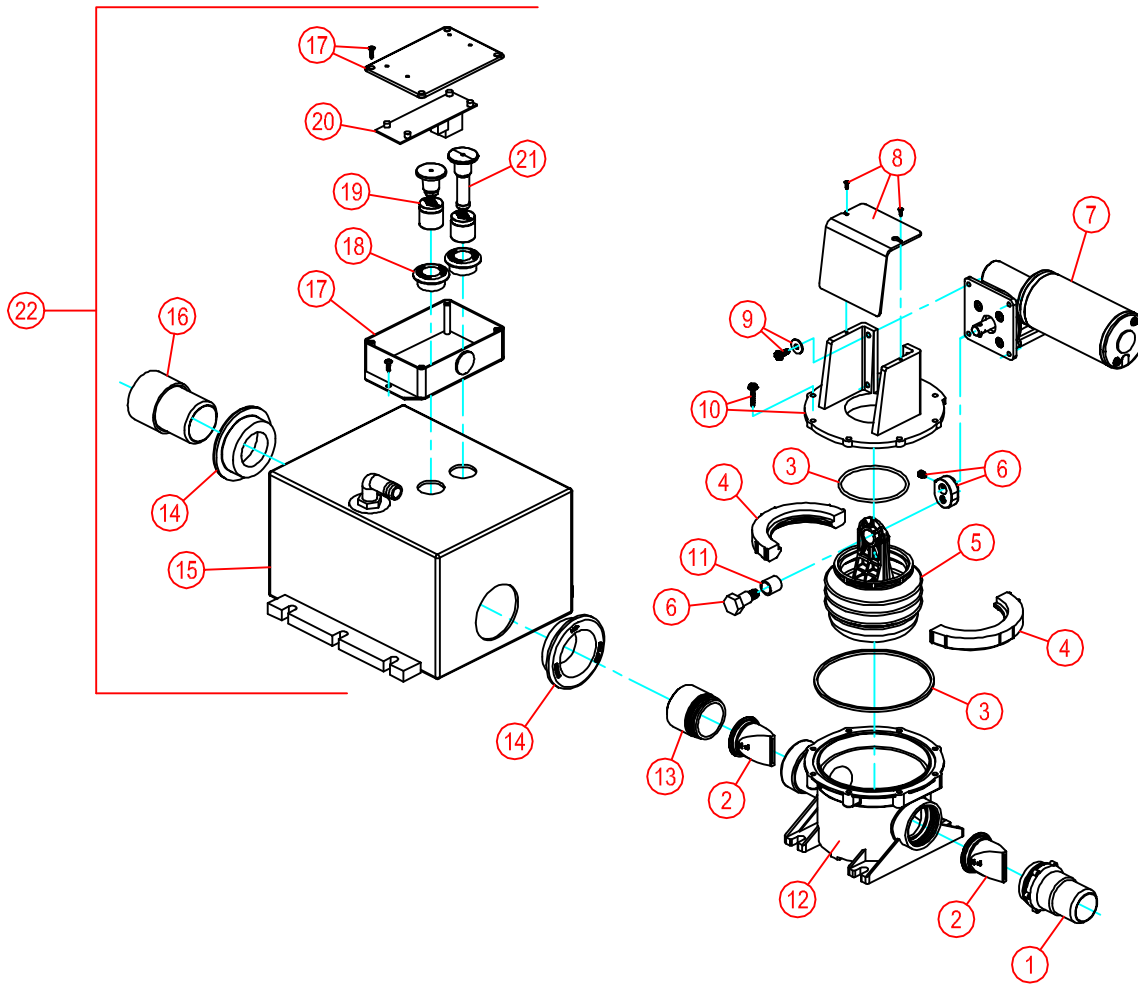


PARTS LIST: SANISUMP / 314115324

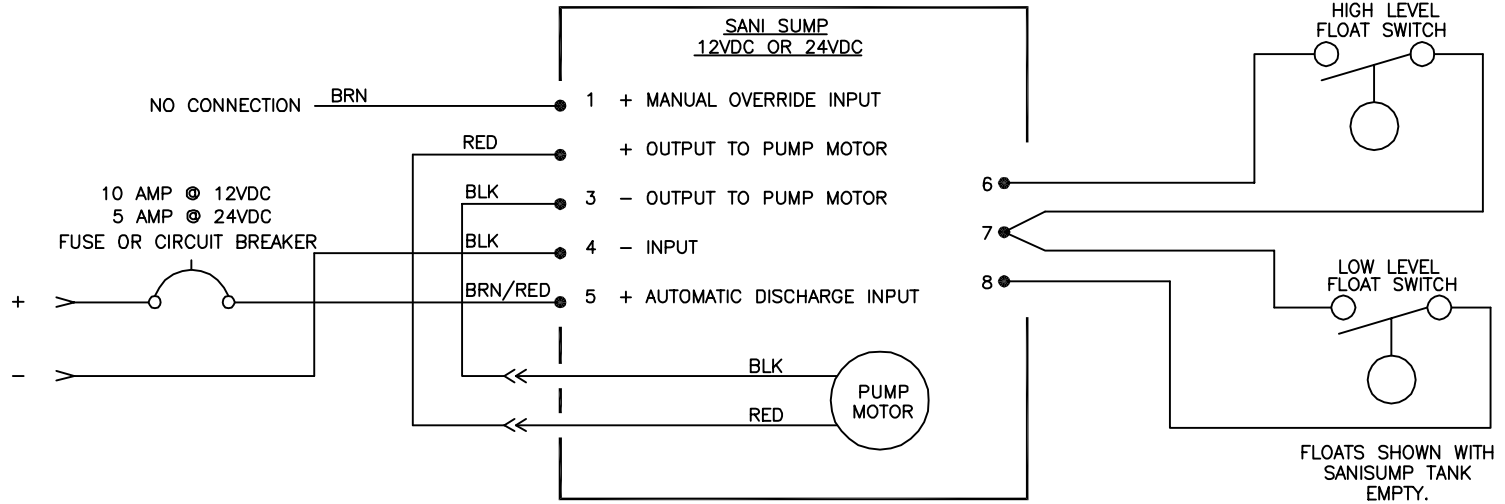


ITEM	PART NUMBER & DESCRIPTION
1	385311843 VALVE NIPPLE
2	385310076 1-1/2" DUCKBILL VALVE
3	385310151 O'RING REPLACEMENT KIT
4	385311226 BELLOWS CLAMP KIT
5	385230980 BELLOWS ASSEMBLY **INCLUDES ITEM 11.
6	385310644 ECCENTRIC KIT
7	385340757 24VDC MOTOR
8	385311422 PUMP COVER KIT
9	385311224 MOTOR MOUNTING HARDWARE
10	385311225 PUMP TOP CLOSURE KIT
11	385310242 BELLOWS BUSHING
12	385311858 PUMP BODY
13	385640335 PUMP INLET FITTING
14	385311111 1-1/2" SEALING GROMMET
15	385311458 SANISUMP TANK MACHINED
16	385311550 INLET FITTING KIT **INCLUDES ITEM 14.
17	385310650 SANISUMP ELECTRICAL ENCLOSURE
18	385311164 1/2" SEALING GROMMET
19	313900101 TANK FULL LEVEL **INCLUDES ITEM 18.
20	385310721 CIRCUITBOARD ASSEMBLY 24VDC
21	385311457 EMPTY TANK LEVEL **INCLUDES ITEM 18.
22	385311459 SANISUMP ASSY LESS PUMP 24VDC

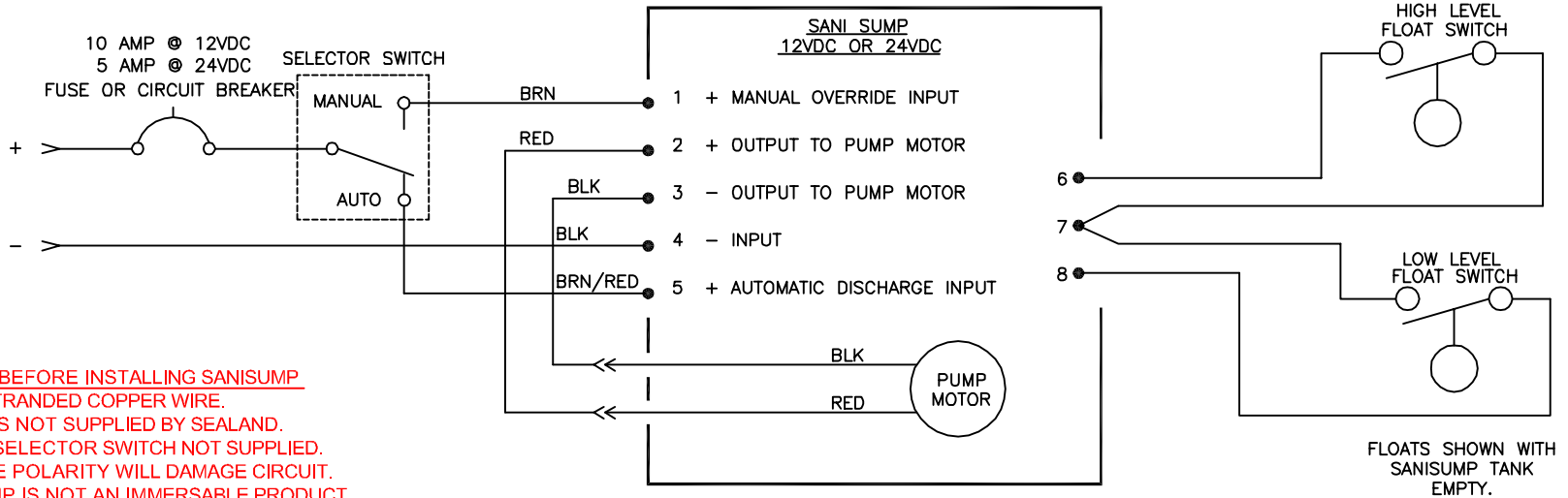
PARTS LIST: SANISUMP / 314115324

Dometic Corporation - Sanitation Systems
13128 State Rt. 226, P.O. Box 38
Big Prairie, OH 44611-0038 USA
Telephone: 330-496-3211
Fax: 330-496-3097
Email: sealand@dometicusa.com

WIRING DIAGRAM SHOWING AUTOMATIC DISCHARGE ONLY



WIRING DIAGRAM SHOWING OPTIONAL SELECTOR SWITCH FOR MANUAL AND AUTO DISCHARGE



- IMPORTANT:** READ BEFORE INSTALLING SANISUMP
- USE 12 OR 14 GA STRANDED COPPER WIRE.
 - CIRCUIT BREAKER IS NOT SUPPLIED BY SEALAND.
 - OPTIONAL S.T.D.P. SELECTOR SWITCH NOT SUPPLIED.
 - CAUTION:** REVERSE POLARITY WILL DAMAGE CIRCUIT.
 - CAUTION:** SANISUMP IS NOT AN IMMERSABLE PRODUCT.
- MOUNT IN AREA ABOVE MAXIMUM BILGE WATER LINE.
- OPTIONAL BONDING WIRE CAN BE CONNECTED TO ONE OF THE FOUR MOTOR MOUNTING SCREWS.