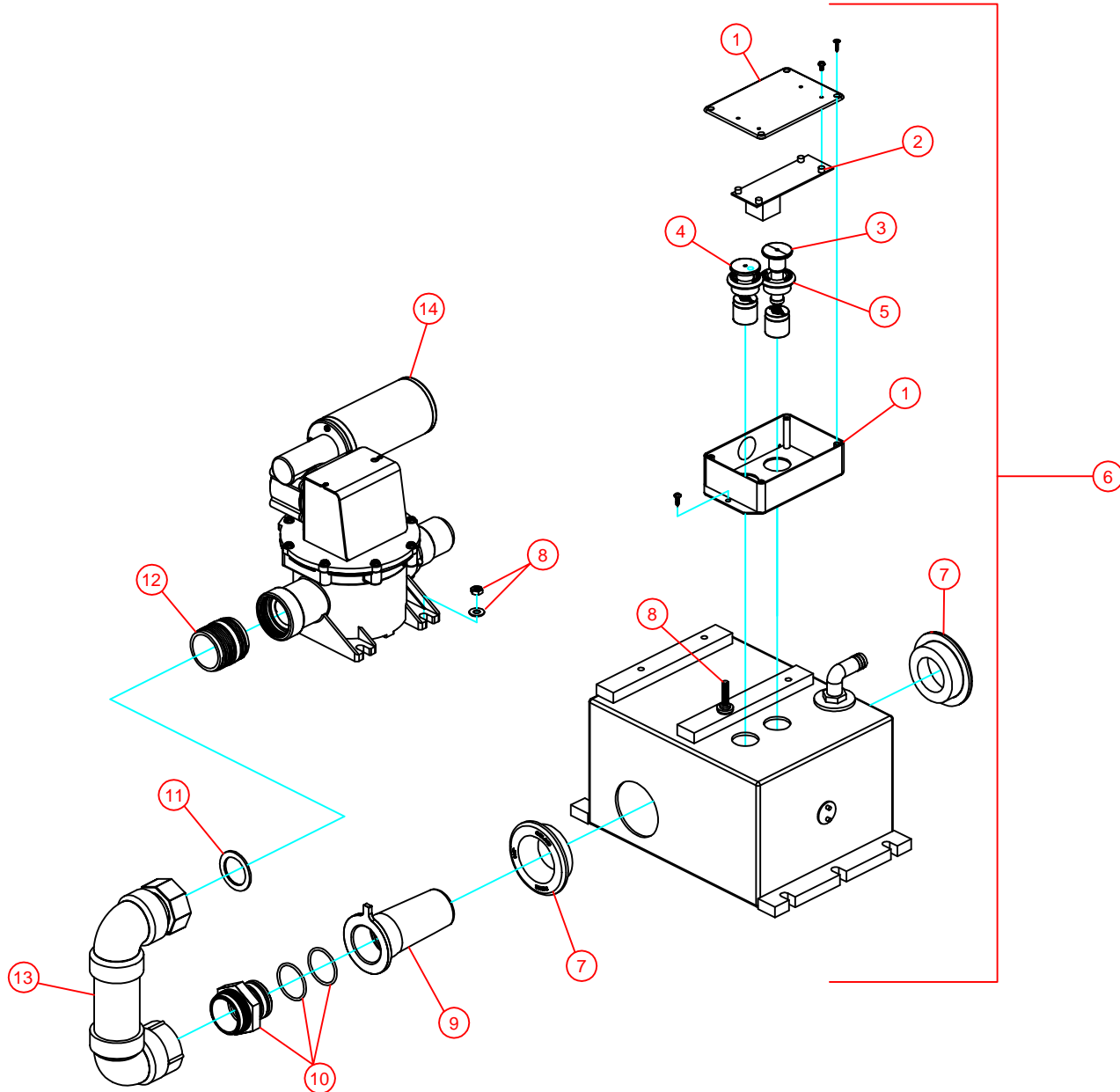
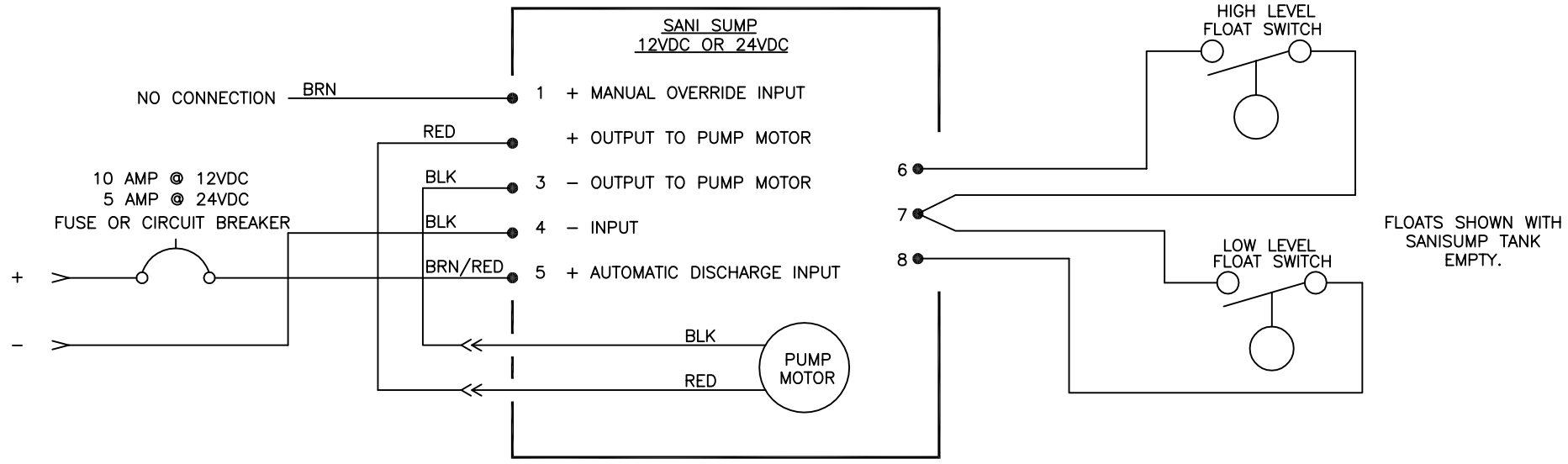


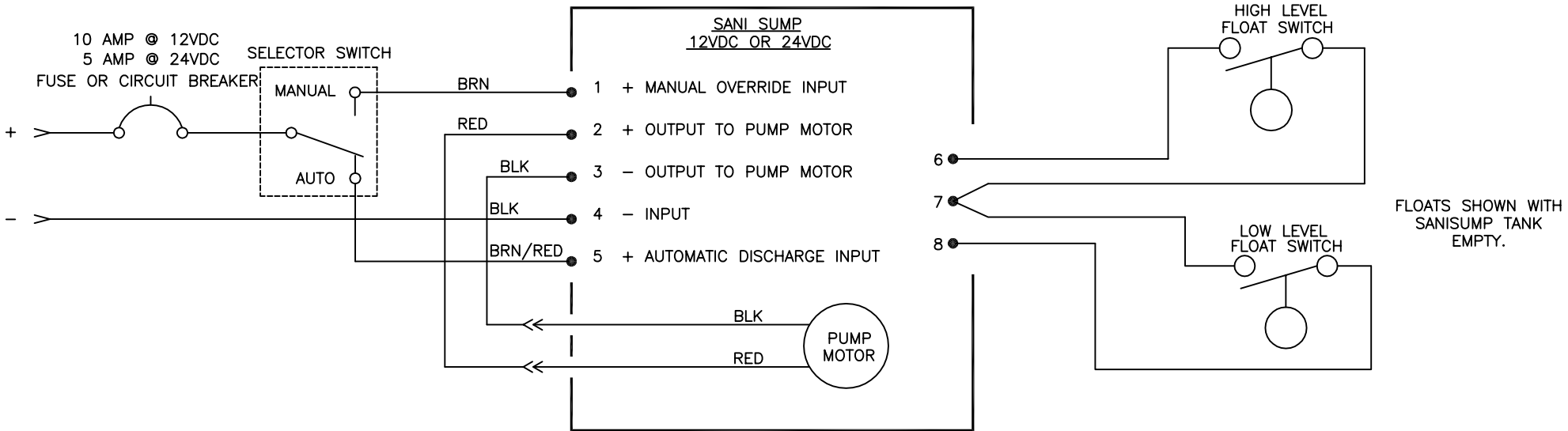
# PARTS LIST: SANISUMP 314115001



ITEM	PART NO.	DESCRIPTION
1	385310650	KIT, SANISUMP CIR'BOARD ENC
2	385310721	KIT, 24 CIRCUIT BOARD ASSM
3	385311253	KIT, ADJ IND'V LEVEL IND'C-12"
4	313900101	TANK FULL FL'T W/UNISEAL RV
5	385311164	KIT, SEALING GROMMET 1/2"
6	385311775	KIT,SSUMP TK/NO PUMP-314115001
7	385311111	KIT, SEALING GROMMET 1-1/2"
8	385310939	KIT, COM'P MTG INSERT HD TANK
9	385310754	KIT, DIPTUBE-LOW PROFILE VG
10	385311445	KIT, SLIP-ON ADPT LH THREADS
11	385311233	KIT, SLIP SEAL 1-1/2" REPL
12	385640370	KIT, LH/RH THREAD ADAPTER
13	385311776	KIT, PLUMB'G SANIS'P-314115001
14	N/A	SEE PUMP PARTS LIST



WIRING DIAGRAM SHOWING AUTOMATIC DISCHARGE ONLY



WIRING DIAGRAM SHOWING OPTIONAL SELECTOR SWITCH FOR MANUAL AND AUTO DISCHARGE

**IMPORTANT: READ BEFORE INSTALLING SANI SUMP**

- USE 12 OR 14 GA STRANDED COPPER WIRE.
- CIRCUIT BREAKER IS NOT SUPPLIED BY SEALAND.
- OPTIONAL S.T.D.P. SELECTOR SWITCH NOT SUPPLIED
- CAUTION: REVERSE POLARITY WILL DAMAGE CIRCUIT BOARD.

- CAUTION: SANI SUMP IS NOT AN IMMERSABLE PRODUCT. MOUNT IN AREA ABOVE MAXIMUM BILGE WATER LINE.
- OPTIONAL BONDING WIRE CAN BE CONNECTED TO ONE OF THE FOUR MOTOR BRACKET MOUNTING SCREWS.

Dometic Corporation - Sanitation Systems  
13128 State Rt. 226, P.O. Box 38  
Big Prairie, OH 44611-0038 USA  
Telephone: 330-496-3211  
Fax: 330-496-3097  
Email: sealand@dometicusa.com