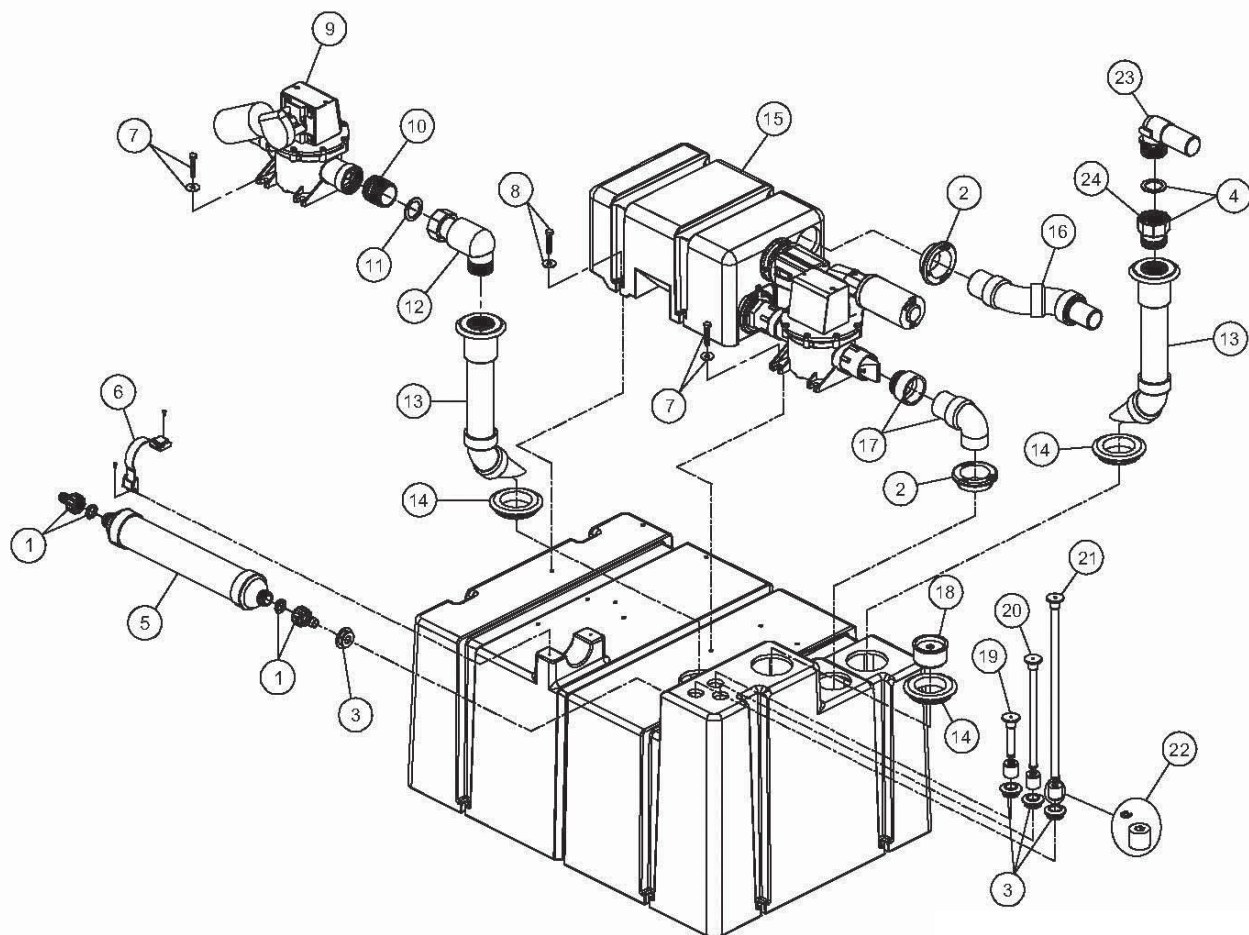


## PARTS LIST: 322713512 HTS 35-LPVGQ12/T12/TW4

ITEM	PART NO.	DESCRIPTION	ITEM	PART NO.	DESCRIPTION
1	385310135	VENT FILTER FITTINGS	13	385310660	DIPTUBE KIT (inc. item 14)
2	385311111	1-1/2" UNISEAL	14	385311110	2" UNISEAL
3	385311164	1/2" UNISEAL	15	N/A	SEE LOW PROFILE VG PARTS LIST
4	385310914	1-1/2" SWIVEL ELBOW KIT (inc. item 23)	16	385310787	45° ELBOW KIT (inc. item 2)
5	309310001	5/8" HOLDING TANK VENT FILTER (item # 1 not inc.)	17	385310844	TANK INLET ELBOW KIT (inc. item 2)
6	385310673	FILTER MOUNTING KIT	18	313255247	1-1/2" TANKSAVER VALVE (inc. item 14)
7	385311163	KIT, MTG HARDWARE PUMP TO TANK	19	385310841	FULL LEVEL INDICATOR (inc. item 3)
8	385311162	KIT, MTG HARDWARE VG TO HTS	20	385310840	MID LEVEL INDICATOR (inc. item 3)
9	317301200	12VDC OVERBOARD DISCHARGE PUMP	21	385310839	EMPTY LEVEL INDICATOR (inc. item 3)
10	385640370	KIT, LH/RH THREAD ADAPTER	22	385311103	KIT, SWITCH FLOAT & LOCKRING
11	385311233	KIT, SLIP SEAL 1-1/2" REPL	23	385311251	KIT, 90° ELBOW FITTING
12	385310931	KIT, QUICK CONNECT ELBOW (inc. item 11)	24	385311070	KIT, THR'D QUICK CON'T ADAPT (inc. item 11)



Dometic Corporation - Sanitation Systems  
13128 State Rt. 226, P.O. Box 38  
Big Prairie, OH 44611-0038 USA  
Telephone: 330-496-3211  
Fax: 330-496-3097  
Email: sealand@dometicusa.com