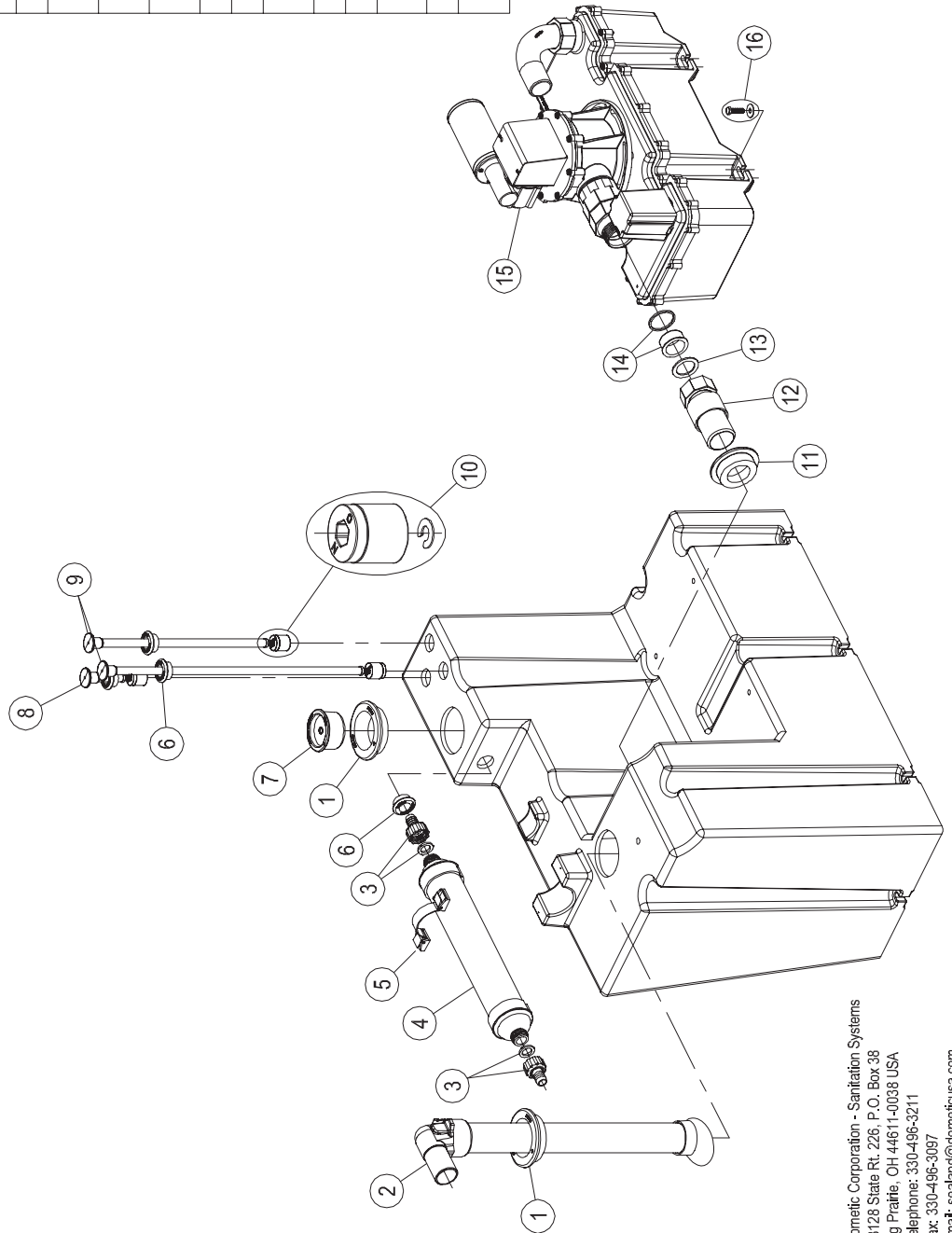


PARTS LIST: 18 GALLON HOLDING TANK SYSTEM / 322711812; 322011824

ITEM	PART NUMBER & DESCRIPTION
1	385311110 1-1/2" SEALING GROMMET
2	385311573 90° ELBOW DIPTUBE ASSEMBLY **INCLUDES ITEM 1.
3	385310135 VENT FILTER FITTINGS
4	309310001 VENT FILTER REPLACEMENT
5	385310673 VENT FILTER MOUNTING KIT
6	385311164 1/2" SEALING GROMMET
7	313255247 TANKSAVER **INCLUDES ITEM 1.
8	385311253 TANK LEVEL ADJUSTABLE 12" **INCLUDES ITEM 6.
9	385311254 TANK LEVEL ADJUSTABLE 24" **INCLUDES ITEM 6.
10	385311103 TANK LEVEL FLOAT & LOCK RING
11	385311111 1-1/2" SEALING GROMMET
12	385311236 VG4 HOLDING TANK INLET FITTING **INCLUDES ITEM 11 & 13.
13	385311233 1-1/2" SLIP SEAL REPLACEMENT
14	385311237 SLIP SEAL ADAPTER FITTING
15	N/A VACUUM GENERATOR 4 **SEE VG4 PARTS LIST.
16	385311275 VG4 MOUNTING HARDWARE
17	313604402 DTM04 w/SHUTDOWN RELAY - 12VDC 313604403 DTM04 w/SHUTDOWN RELAY - 24VDC



Dometic Corporation - Sanitation Systems
13128 State Rt. 226, P.O. Box 38
Big Prairie, OH 44611-0038 USA
Telephone: 330-496-3211
Fax: 330-496-3097
Email: sealand@dometicusa.com