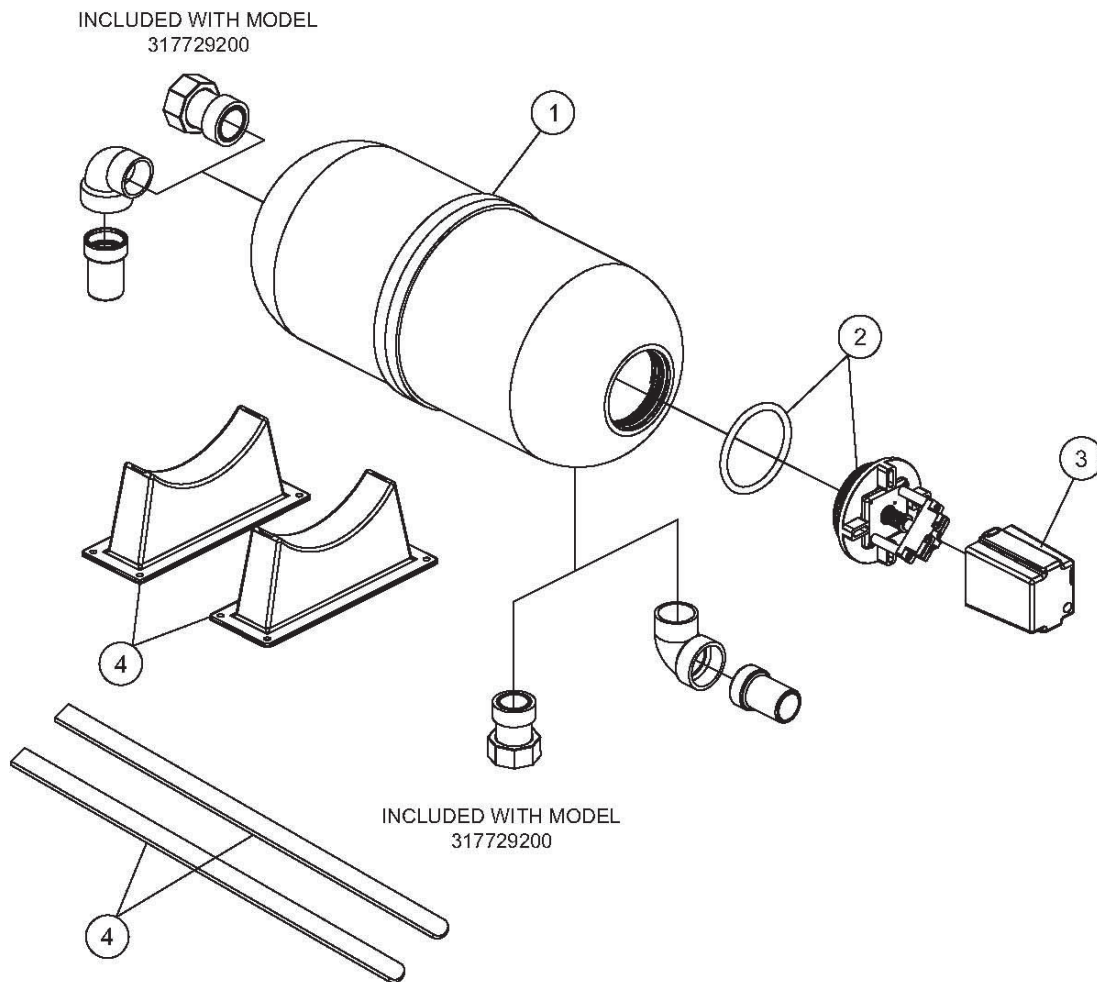


PARTS LIST: MODEL 317729100 & 317729200

ITEM	PART NO.	DESCRIPTION
1	385310017	KIT, VACUUM TANK-REPLACEMENT
2	385318032	KIT, VACUUM TANK SWITCH
3	385311215	KIT, SNAP-ON VAC SW'CH CVR-WHT
4	385311659	KIT, VAC TK MTG BRKT (1 EACH)



Dometic Corporation - Sanitation Systems
13128 State Rt. 226, P.O. Box 38
Big Prairie, OH 44611-0038 USA
Telephone: 330-496-3211
Fax: 330-496-3097
Email: sealand@dometicusa.com