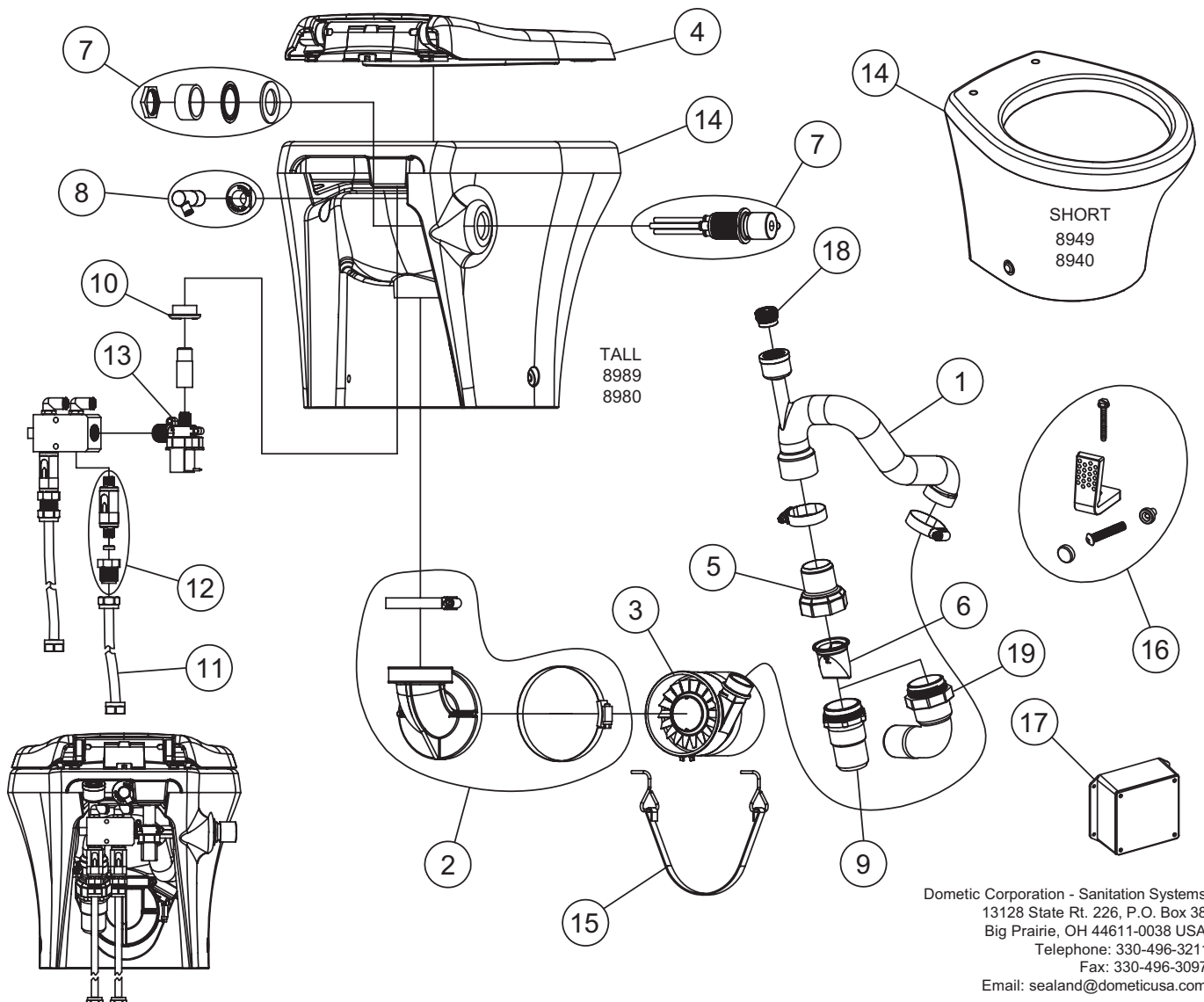


PARTS LIST: 8900 SERIES WITH BIDET

| ITEM | PART NO. | DESCRIPTION | ITEM | PART NO. | DESCRIPTION |
|------|-----------|-----------------------------------|------|-----------|---|
| 1 | 385880065 | KIT, TUBE OUTLET SHORT M'FLUSH | 13 | 385880074 | KIT, W'VALVE 12VDC M'FLUSH (INC. 10,12) |
| 2 | 385880067 | KIT, BOWL OUTLET M'FLUSH | | 385880075 | KIT, W'VALVE 24VDC M'FLUSH (INC. 10,12) |
| 3 | 385880068 | KIT, MOTOR ASSEMBLY 12VDC M'FLUSH | 14 | 385311723 | KIT, BOWL 8900 SHORT COMBO WHITE |
| | 385880069 | KIT, MOTOR ASSEMBLY 24VDC M'FLUSH | | 385311724 | KIT, BOWL 8900 SHORT COMBO BONE |
| 4 | 385311618 | KIT, SEAT/CVR SLOW-CLOSE/WHT | | 385311725 | KIT, BOWL 8900 TALL COMBO WHITE |
| | 385311694 | KIT, SEAT-CV'R 4800 WOOD-WHITE | | 385311726 | KIT, BOWL 8900 TALL COMBO BONE |
| 5 | 385880070 | KIT, ADAPTER M'FLUSH | 15 | 385880083 | KIT, STRAP MOTOR M'FLUSH |
| 6 | 385311620 | KIT, DB VALVE 1-1/2"-BLACK (1) | 16 | 385311463 | KIT, 4800 CHINA MTG |
| 7 | 385311721 | KIT, BIDET FLUSH VALVE | 17 | 385880085 | KIT, CONTROLE MODULE 8900 12/24VDC |
| 8 | 385311722 | KIT, BIDET NOZEL | 18 | 385880080 | KIT, ANTISIPHON VALVE M'FLUSH |
| 9 | 385311315 | KIT, NIPPLE-RH THREADS | 19 | 385880071 | KIT, 1-1/2" OUTLET EL-M'FLUSH |
| 10 | 385311164 | KIT, SEALING GROMMET 1/2" | N/S | 385880081 | KIT, HARNESS FLSH SW VIMAR - GEWISS |
| 11 | 385311018 | KIT, PLUG-IN SUPPLY HOSE | N/S | 385880082 | KIT, CABLE FLSH SW TOUCHPAD |
| 12 | 385311727 | KIT, BIDET CHECKVALVE | | | |



Dometic Corporation - Sanitation Systems
13128 State Rt. 226, P.O. Box 38
Big Prairie, OH 44611-0038 USA
Telephone: 330-496-3211
Fax: 330-496-3097
Email: sealand@dometicus.com