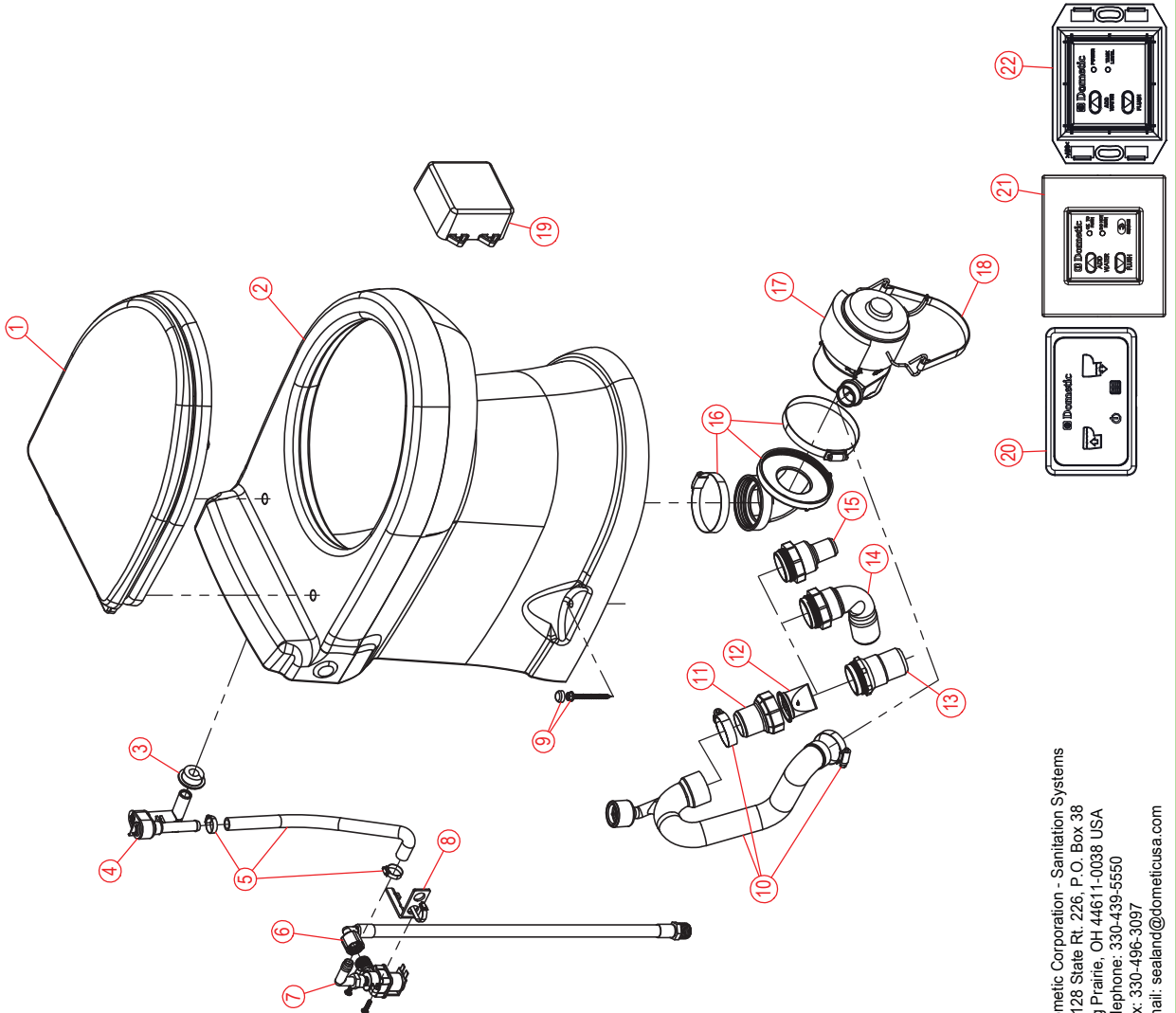


PARTS LIST: 8700 TALL SERIES w/ FLUSH SWITCH VERSION

ITEM	PART NUMBER & DESCRIPTION
1	385311005 - SEAT/COVER WOOD - WHITE
	385311006 - SEAT/COVER WOOD - BONE
	385311597 - SEAT/COVER WOOD - EBONY
2	385312023 - 8700 BOTTOM DISCHARGE BOWL KIT-WHITE
	385312024 - 8700 BOTTOM DISCHARGE BOWL KIT-BONE
	385312025 - 8700 BOTTOM DISCHARGE BOWL KIT-EBONY
3	385311164 - 1/2" SEALING GROMMET
4	385316906 - VACUUM BREAKER KIT **Includes Item #6.
5	385345377 - BOWL WATER SUPPLY HOSE **Includes Hose Clamps.
6	385311547 - WATER SUPPLY HOSE REPLACEMENT
7	385311545 - WATER VALVE KIT - 12VDC
	385311546 - WATER VALVE KIT - 24VDC
8	385311705 - WATER VALVE MOUNTING BREAKER KIT
9	385311022 - BOWL MOUNTING HARDWARE
10	385311778 - DISCHARGE TUBE KIT **Includes Anti-Siphon Valve
11	385880070 - DISCHARGE TUBE VALVE ADAPTER
12	385311620 - 1-1/2" CHECK VALVE
13	385311315 - 1-1/2" VALVE ADAPTER
14	385880071 - 1-1/2" VALVE ADAPTER ELBOW
15	385880072 - 1" VALVE ADAPTER
16	385880067 - BOWL OUTLET ELBOW
17	385880068 - MOTOR/MACERATOR ASSY - 12VDC
	385880069 - MOTOR/MACERATOR ASSY - 24VDC
18	385311779 - MACERATOR PUMP MOUNTING STRAP
19	385880085 - CONTROL MODULE 12/24VDC (DBL)
20	313600021 - DOMETIC TOUCHPAD FLUSH SWITCH - WHITE
	313600022 - DOMETIC TOUCHPAD FLUSH SWITCH - BLACK
21**	313409010 - DOMETIC FLUSH CONTROL - STD GRAY
	313409020 - DOMETIC FLUSH CONTROL - STD WHITE
22**	313409030 - DOMETIC FLUSH CONTROL-PLAYBUS GRAY
NOT SHOWN	385311781 - FLUSH SWITCH WIRE HARNESS-8700 SERIES



**ITEMS 21 & 22:
ARE OPTIONAL ACCESSORIES SOLD SEPARATELY & ARE NOT
INCLUDED OR PROVIDED WITH EVERY MODEL.

Dometic Corporation - Sanitation Systems
13128 State Rt. 226, P.O. Box 38
Big Prairie, OH 44611-0038 USA
Telephone: 330-439-5550
Fax: 330-496-3097
Email: sealand@dometicusa.com