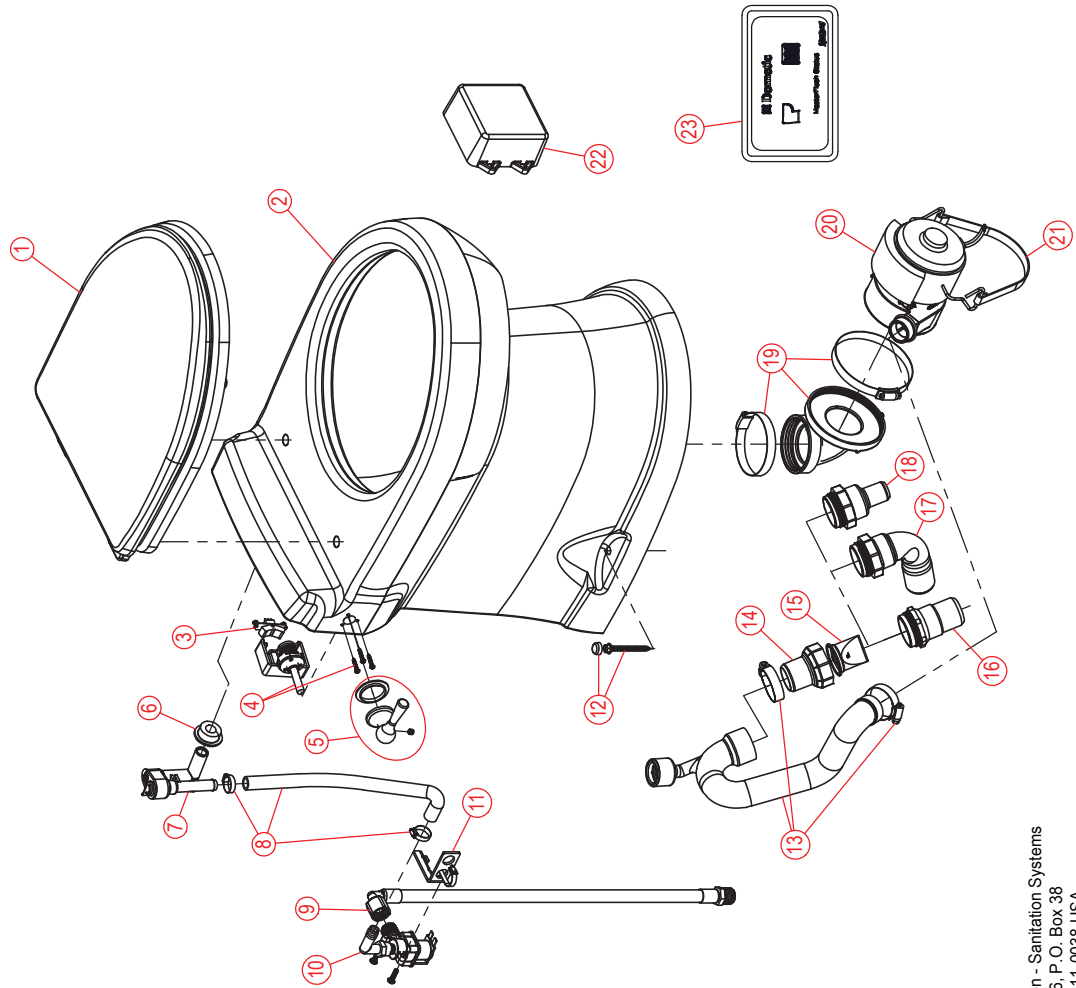


PARTS LIST: 8700 TALL SERIES w/ FLUSH HANDLE VERSION

ITEM	PART NUMBER & DESCRIPTION
1	385311005 - SEAT/COVER WOOD - WHITE 385311006 - SEAT/COVER WOOD - BONE 385311597 - SEAT/COVER WOOD - EBONY
2	385312023 - 8700 BOTTOM DISCHARGE BOWL KIT-WHITE 385312024 - 8700 BOTTOM DISCHARGE BOWL KIT-BONE 385312025 - 8700 BOTTOM DISCHARGE BOWL KIT-EBONY
3	38311703 - FLUSH HANDLE SWITCH w/WIRING HARNESS
4	385311704 - FLUSH HANDLE ASSEMBLY **Includes Item #3.
5	385310962 - FLUSH HANDLE KIT - CHROME 385310963 - FLUSH HANDLE KIT - GOLD 38531141 - FLUSH HANDLE KIT - NICKLE
6	385311164 - 1/2" SEALING GROMMET
7	385316906 - VACUUM BREAKER KIT **Includes Item #6.
8	385345377 - BOWL WATER SUPPLY HOSE **Includes Hose Clamps.
9	385311547 - WATER SUPPLY HOSE REPLACEMENT
10	385311545 - WATER VALVE KIT - 12VDC 385311546 - WATER VALVE KIT - 24VDC
11	385311705 - WATER VALVE MOUNTING BREAKER KIT
12	385311022 - BOWL MOUNTING HARDWARE
13	385311778 - DISCHARGE TUBE KIT **Includes Anti-Siphon Valve
14	385880070 - DISCHARGE TUBE VALVE ADAPTER
15	385311620 - 1-1/2" CHECK VALVE
16	385311315 - 1-1/2" VALVE ADAPTER
17	385880071 - 1-1/2" VALVE ADAPTER ELBOW
18	385880072 - 1" VALVE ADAPTER
19	385880067 - BOWL OUTLET ELBOW
20	385880068 - MOTOR/MACERATOR ASSY - 12VDC 385880069 - MOTOR/MACERATOR ASSY - 24VDC
21	385311779 - MACERATOR PUMP MOUNTING STRAP
22	385880085 - CONTROL MODULE 12/24VDC (DBL)
23	313722000 - DOMETIC MASTERFLUSH STATUS PNL-BLK 385311781 - FLUSH SWITCH WIRE HARNESS-8700 SERIES
NOT SHOWN	



Dometic Corporation - Sanitation Systems
13128 State Rt. 226, P. O. Box 38
Big Prairie, OH 44611-0038 USA
Telephone: 330-439-5550
Fax: 330-496-3097
Email: sealand@dometicus.com