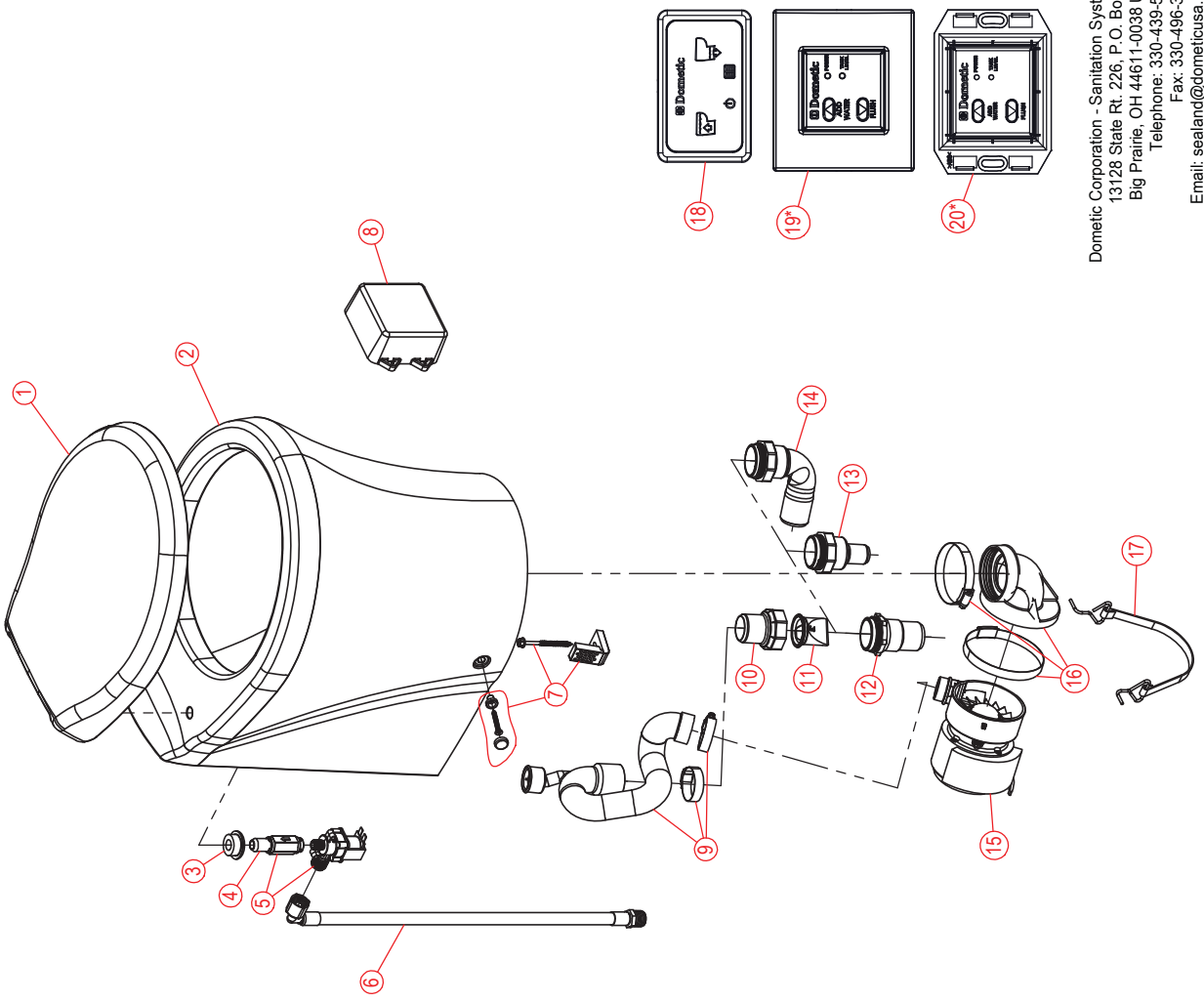


PARTS LIST: 8600 TALL STANDARD MODELS 304864010; 304864011; 304864012 & 304864013

ITEM	PART NUMBER & DESCRIPTION
1	385311618 - SEAT/COVER SLOW-CLOSE KIT - WHITE 385311619 - SEAT/COVER SLOW-CLOSE KIT - BONE
2	385312036 - 8600 TALL BOTTOM DISCHARGE BOWL KIT - WHITE 385312037 - 8600 TALL BOTTOM DISCHARGE BOWL KIT - BONE
3	385311164 - 1/2" SEALING GROMMET
4	385880073 - CHECKVALVE REPLACEMENT
5	385880074 - WATER VALVE KIT - 12VDC 385880075 - WATER VALVE KIT - 24VDC **Includes Items 3 & 4.
6	385311547 - WATER SUPPLY HOSE REPLACEMENT
7	385311463 - BOWL MOUNTING HARDWARE KIT
8	385880085 - CONTROL MODULE 12/24VDC (DBL)
9	385312038 - DISCHARGE TUBE **Includes Anti-Siphon.
10	385880070 - DISCHARGE TUBE VALVE ADAPTER
11	385311620 - 1-1/2" CHECK VALVE
12	385311315 - 1-1/2" PUMP OUTLET FITTING
13	385880072 - 1" VALVE ADAPTER
14	385880071 - 1-1/2" VALVE ADAPTER ELBOW
15	385880068 - MOTOR/MACERATOR ASSY - 12VDC 385880069 - MOTOR/MACERATOR ASSY - 24VDC
16	385880067 - BOWL OUTLET ELBOW
17	385880083 - MOTOR/PUMP MOUNTING STRAP
18	313600021 - DOMETIC TOUCHPAD FLUSH SWITCH - WHITE 313600022 - DOMETIC TOUCHPAD FLUSH SWITCH - BLACK
19*	313409010 - DOMETIC FLUSH CONTROL - STD GRAY 313409020 - DOMETIC FLUSH CONTROL - STD WHITE
20*	313409030 - DOMETIC FLUSH CONTROL-PLAYBUS GRAY
NOT SHOWN	385880081 - V/MAR/GEMISS FLUSH SWITCH WIRE HARNESS 385880082 - DOMETIC TOUCHPAD FLUSH SWITCH CABLE



Dometic Corporation - Sanitation Systems
 13128 State Rt. 226, P.O. Box 38
 Big Prairie, OH 44611-0038 USA
 Telephone: 330-439-5550
 Fax: 330-496-3097
 Email: sealand@dometicusa.com

*Items 19 & 20 are optional accessories sold separately & are not included or provided with every model.