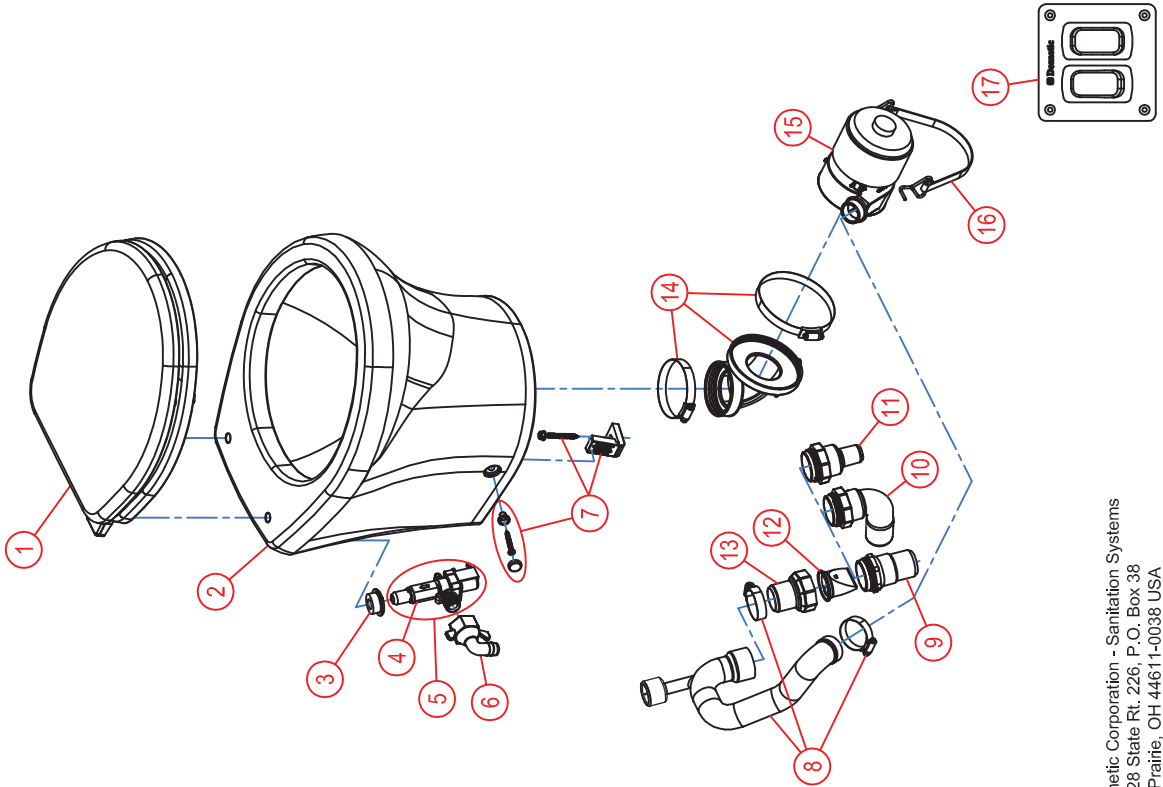


PARTS LIST: 8100 LOW PROFILE SERIES



ITEM	PART NUMBER & DESCRIPTION
1	385311694 SEAT/COVER WOOD - WHITE
2	385880076 8100 SHORT SERIES BOWL KIT - WHITE
3	385311164 1/2" SEALING GROMMET
4	385880073 CHECK VALVE REPLACEMENT
5	385880074 WATER VALVE KIT - 12VDC
5	385880075 WATER VALVE KIT - 24VDC
	**Includes Items 3 & 4
6	385311717 1/2" SWIVEL ELBOW
7	385311463 BOWL MOUNTING HARDWARE KIT
8	385880065 DISCHARGE TUBE REPLACEMENT KIT
	**Includes Clamps & Antisiphon Valve.
9	385311315 1-1/2" VALVE ADAPTER
10	385880071 1-1/2" VALVE ADAPTER ELBOW
11	385880072 1" VALVE ADAPTER
12	385311620 1-1/2" CHECK VALVE
13	385880070 DISCHARGE TUBE VALVE ADAPTER
14	385880067 BOWL OUTLET ELBOW
15	385880068 MOTOR/MACERATOR ASSY - 12VDC
15	385880069 MOTOR/MACERATOR ASSY - 24VDC
16	385880083 MOTOR/MAC MOUNTING STRAP
17	385311702 8100 FLUSH SWITCH PANEL
NOT SHOWN	385311547 WATER SUPPLY HOSE REPLACEMENT
	**Optional Item (Replaces Item #6)

Dometic Corporation - Sanitation Systems
 13128 State Rt. 226, P.O. Box 38
 Big Prairie, OH 44611-0038 USA
 Telephone: 330-439-5550
 Fax: 330-496-3097
 Email: sealand@dometicusa.com