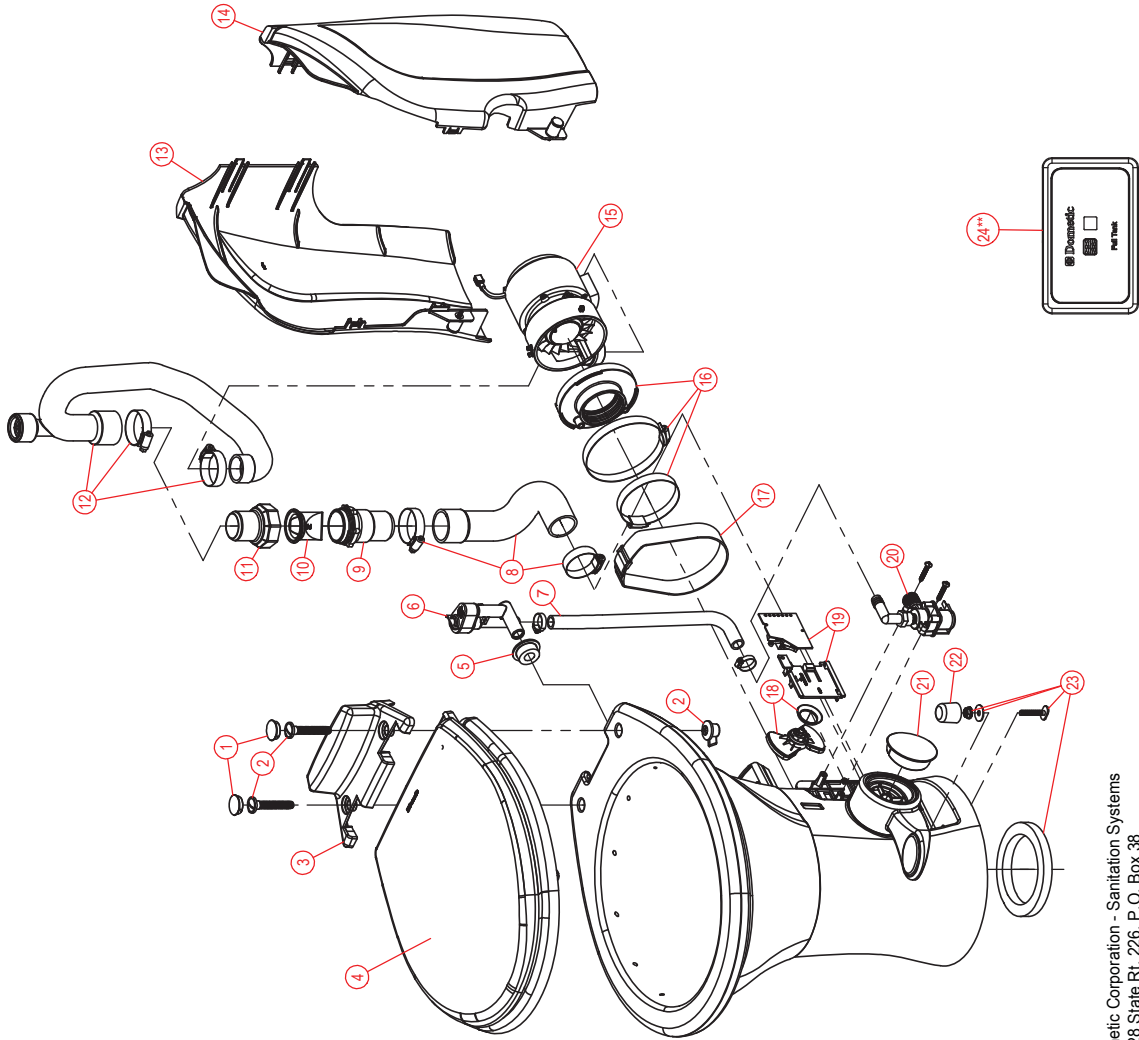


PARTS LIST: 7640 MODEL



ITEM	PART NUMBER & DESCRIPTION
1	385311648 - SEAT MOUNTING COVER - WHITE 385311649 - SEAT MOUNTING COVER - BONE
2	385311650 - SEAT MOUNTING HARDWARE - WHITE 385311651 - SEAT MOUNTING HARDWARE - BONE **Includes Item 1.
3	385311944 - VACUUM BREAKER REPL COVER - WHITE 385311945 - VACUUM BREAKER REPL COVER - BONE **Includes Items 1 & 2.
4	385311949 - SEAT/COVER REPLACEMENT - WHITE 385311950 - SEAT/COVER REPLACEMENT - BONE **Includes Items 1, 2, & 3.
5	385311164 - 1/2" SEALING GROMMET
6	385316906 - VACUUM BREAKER KIT, WITHOUT SPRAYER **Includes Item 5.
7	385312080 - BOWL SUPPLY HOSE **Includes Clamps.
8	385312081 - LOWER DISCHARGE TUBE
9	385311315 - 1-1/2" PUMP OUTLET FITTING
10	385311620 - 1-1/2" CHECK VALVE
11	385880070 - DISCHARGE TUBE VALVE ADAPTER
12	385312082 - UPPER DISCHARGE TUBE **Includes Anti-Siphon Valve.
13	385312083 - RH PUMP/BASE COVER - WHITE 385312084 - RH PUMP/BASE COVER - BONE **Includes Mounting Hardware.
14	385312085 - LH PUMP/BASE COVER - WHITE 385312086 - LH PUMP/BASE COVER - BONE **Includes Mounting Hardware.
15	385880068 - MOTOR/MACERATOR ASSY - 12VDC
16	385312087 - BOWL OUTLET ADAPTER TO PUMP
17	385880083 - MOTOR/PUMP MOUNTING STRAP
18	385312088 - LIMIT SWITCH CAM REPLACEMENT
19	385312089 - CONTROL MODULE 7600
20	385312090 - WATER VALVE ASSEMBLY **Includes Mounting Screws.
21	385311656 - PEDAL COVER - WHITE 385311657 - PEDAL COVER - BONE
22	385311654 - FLOOR BOLT CAP - WHITE 385311655 - FLOOR BOLT CAP - BONE
23	385311652 - MTG HARDWARE & FLOOR SEAL - WHITE 385311653 - MTG HARDWARE & FLOOR SEAL - BONE **Includes Item 21.
24**	313002311 - DOMETIC TK MONITOR 01 w/FLOAT PLATE 313002312 - DOMETIC TK MONITOR 01 w/FLOAT CAP **Optional Accessory; Sold Separately.
NOT SHOWN	385311022 - REMOTE MOUNTING HARDWARE KIT W/HT/BONE

Dometic Corporation - Sanitation Systems
13128 State Rt. 226, P.O. Box 38
Big Prairie, OH 44611-0038 USA
Telephone: 330-439-5550
Fax: 330-496-3097
Email: sealand@dometicusa.com