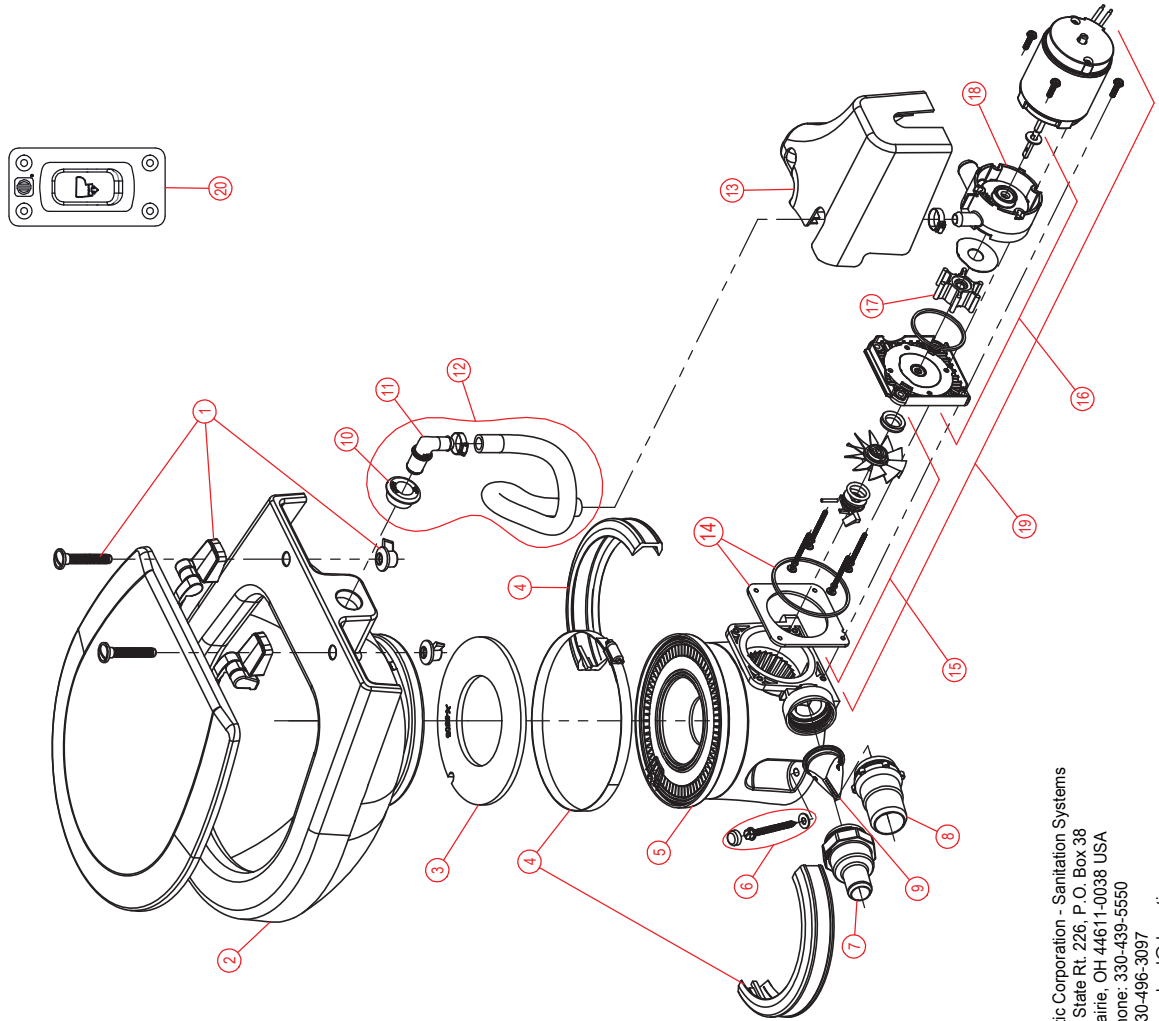


# PARTS LIST: ORBIT 7260 STANDARD VERSION

ITEM	PART NUMBER & DESCRIPTION
1	385344436 - SEAT/COVER - WHITE 385344437 - SEAT/COVER - BONE **Includes Mounting Hardware.
2	385310676 - BOWL KIT - WHITE 385310781 - BOWL KIT - BONE
3	385311979 - BOWL SEAL
4	385310025 - BOWL/BASE CLAMP KIT - WHITE 385310048 - BOWL/BASE CLAMP KIT - BONE
5	385311980 - BASE KIT - WHITE 385311981 - BASE KIT - BONE
6	385310679 - MOUNTING HARDWARE
7	385880072 - 1" VALVE ADAPTER
8	385311315 - 1-1/2" VALVE ADAPTER
9	385311620 - 1-1/2" CHECK VALVE
10	385311164 - 1/2" SEALING GROMMET
11	385312021 - BOWL SUPPLY HOSE ELBOW ADAPTER **Includes Item 10.
12	385312022 - BOWL SUPPLY HOSE KIT - RAW WATER **Includes Items 10; 11 & Clamps
13	385311985 - 7000 SERIES PUMP/MOTOR COVER - WHITE 385311986 - 7000 SERIES PUMP/MOTOR COVER - BONE
14	385312033 - FLANGE GASKET REPLACEMENT KIT
15	385311988 - MACERATOR BLADE REBUILD KIT **Includes Mounting Hardware.
16	385311989 - WATER PUMP REBUILD KIT **Includes all Mounting Hardware & Pump Seals.
17	385311990 - WATER PUMP IMPELLER/SEAL REPLACEMENT **Includes all Pump Seals.
18	385311991 - WATER PUMP HOUSING **Includes Pump Seals.
19	385311993 - PUMP/MOTOR 12v REPLACEMENT-COMLETE 385311994 - PUMP/MOTOR 24v REPLACEMENT-COMLETE **Includes Items 14-17 & Clamps.
20	385311997 - DFS-1F FLUSH SWITCH PANEL **Includes Mounting Screws.



Dometic Corporation - Sanitation Systems  
13128 State Rt. 226, P.O. Box 38  
Big Prairie, OH 44611-0038 USA  
Telephone: 330-439-5550  
Fax: 330-496-3097  
Email: seatland@dometicusa.com