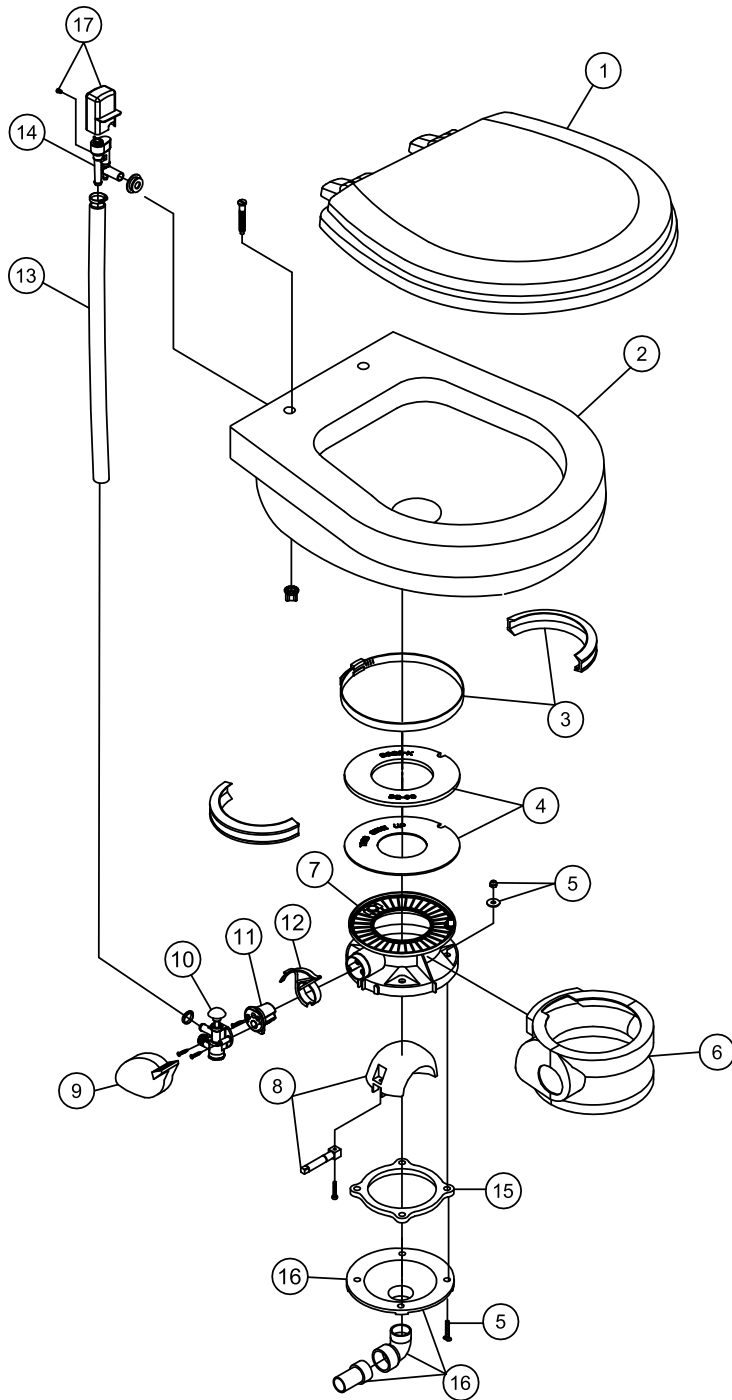


PARTS LIST: 706



ITEM	PART NO.	DESCRIPTION
1	385344436	SEAT ASSEMBLY, WHITE
	385344437	SEAT ASSEMBLY, BONE
2	385310676	CHINA BOWL KIT, WHITE
	385310781	CHINA BOWL KIT, BONE
3	385310048	BAND AND HALF CLAMP, KIT
4	385311462	SEAL REPLACEMENT , KIT
5	385310064	MOUNTING HARDWARE
6	385310108	PEDESTAL COVER KIT , WHITE
	385310109	PEDESTAL COVER KIT , BONE
7	385310132	BASE KIT, WHITE (inc items 3 -12 & 15,16)
	385310133	BASE KIT, BONE (inc items 3 -12 & 15,16)
8	385318162	KIT,BALL,SHAFT & CART, WHITE(inc. item 11)
9	385310117	PEDAL COVER, WHITE
	385310118	PEDAL COVER, BONE
10	385314349	WATER VALVE, KIT
11	385236096	SPRING CARTRIDGE, KIT
12	385311486	KIT, BENT LEVER/CART-SHT BASE (inc.11)
13	385340177	HOSE, SUPPLY - BONE
	385345377	HOSE, SUPPLY - WHITE
14	385316906	VACUUM BREAKER, KIT
15	385310063	FLOOR FLANGE SEAL (inc. item 5)
16	385318864	FUNNEL KIT (inc. item 5 & 15)
17	385310696	VACUUM BREAKER COVER - WHITE
	385310782	VACUUM BREAKER COVER - BONE



Dometic Corporation - Sanitation Systems
13128 State Rt. 226, P.O. Box 38
Big Prairie, OH 44611-0038 USA
Telephone: 330-496-3211
Fax: 330-496-3097
Email: sealand@dometicusa.com