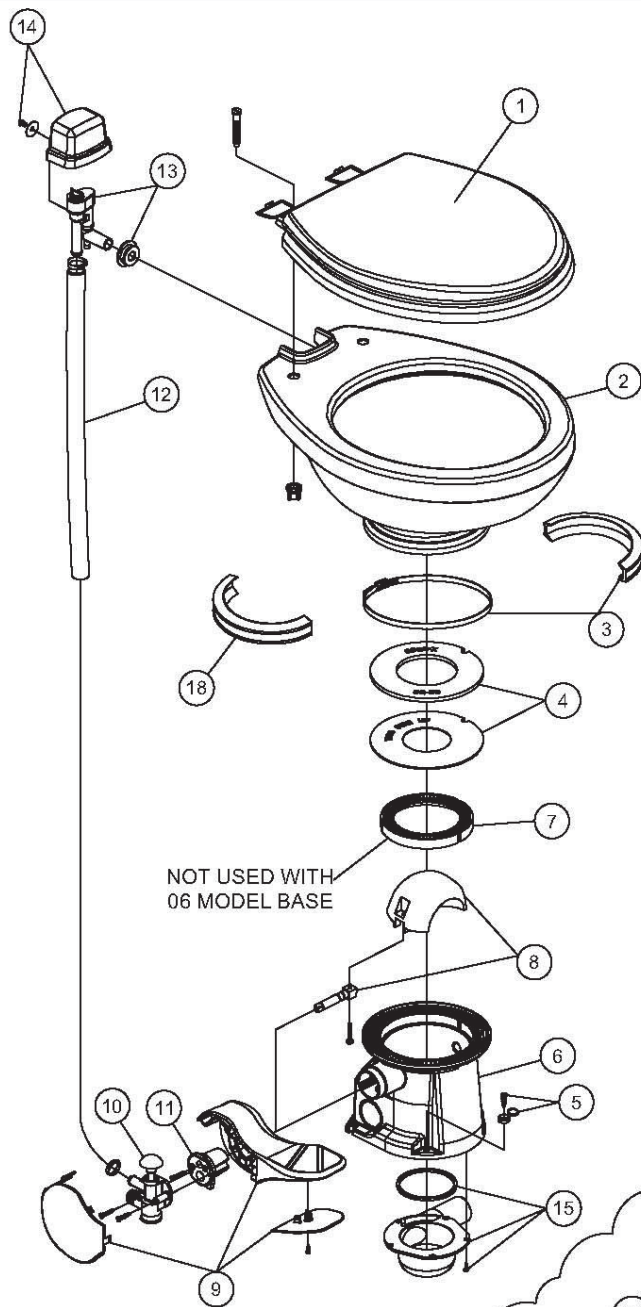


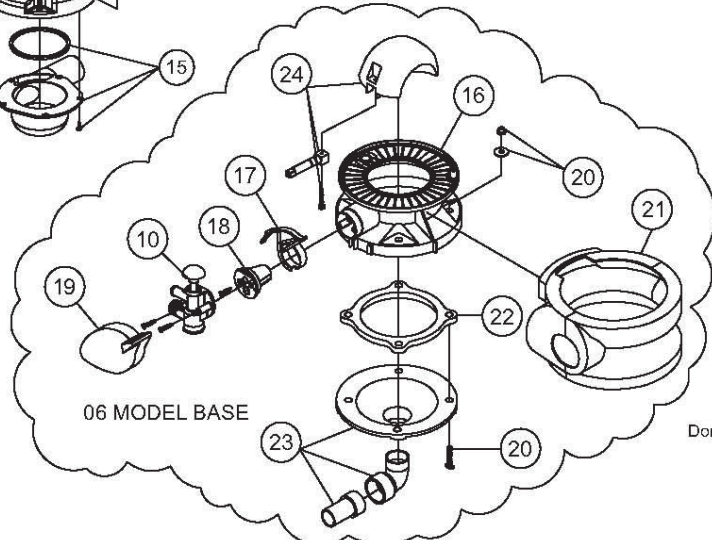
PARTS LIST: VACUFLUSH 606 - 647 - 648



NOT USED WITH
06 MODEL BASE

06 MODEL BASE

ITEM	PART NUMBER		DESCRIPTION
	647	648	
1	385343829		KIT, SEAT-CV'R 500+ -WHITE
	385343831		KIT, SEAT-CV'R 500+ -BONE
2	385310790		KIT,BOWL TRAVELER LITE/WHITE
	385310791		KIT,BOWL TRAVELER LITE/BONE
3	385310025		KIT, HALF CLAMP-WHITE
	385310048		KIT, HALF CLAMP-BONE
4	385311462		KIT, SEAL KIT-VACUFLUSH
5	385310679		KIT, MOUNTING-ECOVAC - WHITE
	385310785		KIT, MOUNTING-ECOVAC - BONE
6	385310685	385310686	BASE KIT , WHITE (INC. 3-11&15)
	385310783	385310784	BASE KIT , BONE (INC. 3-11&15)
7	385311292		KIT, BASE RING INSERT
8	385310954		KIT, BALL/BRASS SHAFT/P CART (INC. 11)
9	385310682		KIT, ECOVAC PEDAL/CART-WHT (INC. 11)
	385310762		KIT, PEDAL ECOVAC/110-BONE (INC. 11)
10	385314349		KIT, WATER VALVE
11	385310683		KIT, SPRING CARTRIDGE-ECOVAC
12	385340177		KIT, SUPPLY HOSE-BONE
	385345377		KIT, SUPPLY HOSE-WHITE
13	385310687		KIT, VAC BRK-ECOVAC
14	385310795		KIT, VAC BREAKER COVER/TL/WHT
	385310796		KIT, VAC BREAKER COVER/TL/BONE
15	385310680		KIT, DISCHARGE 147/148-ECOVAC
	385310936		KIT, DISCHARGE 149-ECOVAC
606 MODEL REPLACEMENT PARTS			
16	385310132		KIT, 506/806/706 BASE-WHT (INC.3-11&15)
	385310133		KIT, 506/806/706BASE-BONE (INC. 3-11&15)
17	385310579		KIT, LEVER/CART-SHORT BASE
18	385236096		KIT, SPRING CARTRIDGE
19	385310117		KIT, SHORT PEDAL COVER-WHT
	385310118		KIT, SHORT PEDAL COVER-BONE
20	385310064		KIT, MOUNT-TRAVELER-506/806
21	385310108		KIT, SHORT BASE COVER-WHITE
	385310109		KIT, SHORT BASE COVER-BONE
22	385310063		KIT, FLOOR FLANGE SEAL (INC. 5)
23	385318864		KIT, FUNNEL 506/806/706 (INC. 20 & 23)
24	385310954		KIT, BALL/BRASS SHAFT/P CART (INC. 18)



Dometic Corporation - Sanitation Systems
13128 State Rt. 226, P.O. Box 38
Big Prairie, OH 44611-0038 USA
Telephone: 330-496-3211
Fax: 330-496-3097
Email: sealand@dometicus.com