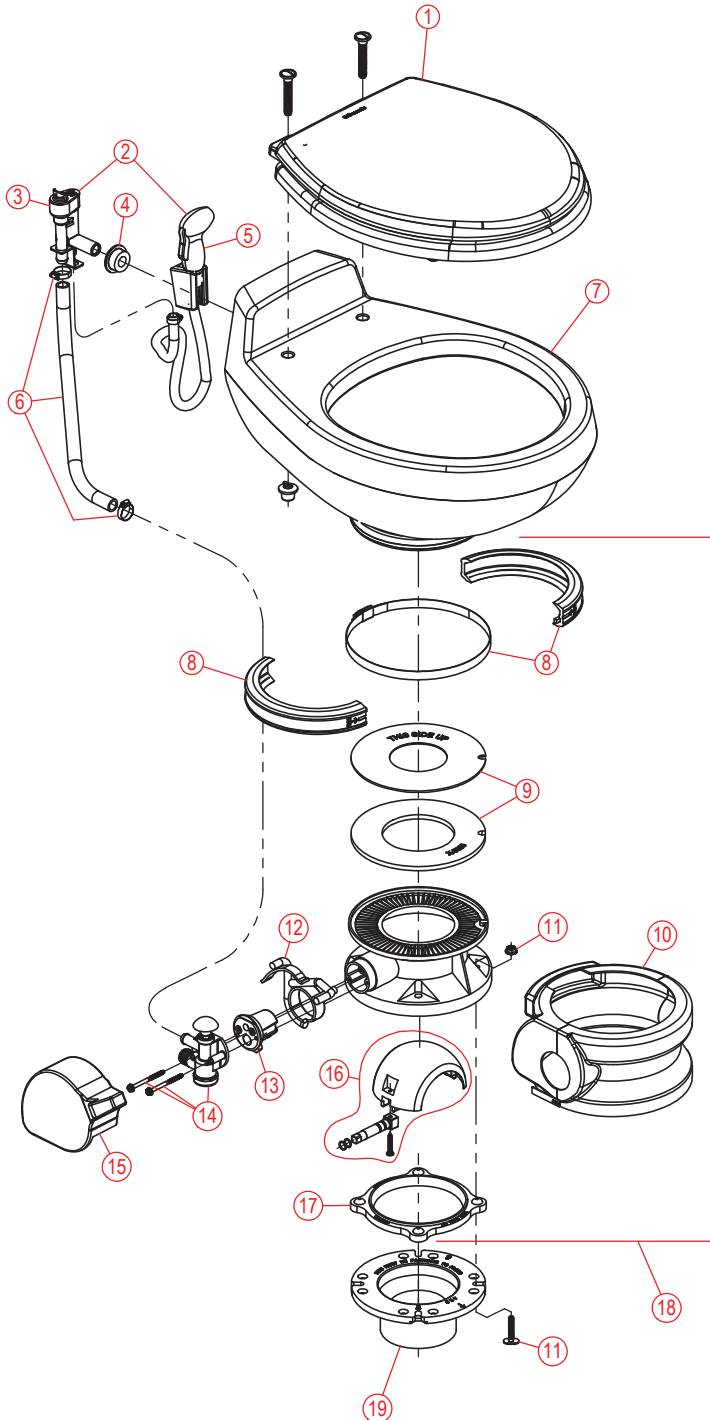


PARTS LIST: 511H SERIES



ITEM	PART NUMBER & DESCRIPTION
1	385343829 - SEAT/COVER - WHITE 385343831 - SEAT/COVER - BONE 385343901 - SEAT/COVER - EBONY **Includes Mounting Hardware.
2	385319056 - HAND SPRAY-CHROME (w/VACUUM BREAKER) 385319057 - HAND SPRAY-EBONY (w/VACUUM BREAKER) **Includes Items 3; 4; & 5.
3	385316906 - VACUUM BREAKER KIT; WITHOUT SPRAYER 385230335 - VACUUM BREAKER KIT; WITH SPRAYER **Includes Item #4.
4	385311164 - 1/2" SEALING GROMMET
5	385310809 - HAND SPRAYER-CHROME 385310873 - HAND SPRAYER-EBONY **Includes Mounting Bracket & Screws.
6	385345377 - BOWL WATER SUPPLY HOSE **Includes Hose Clamps.
7	385310739 - CHINA BOWL KIT - WHITE 385310740 - CHINA BOWL KIT - BONE 385310742 - CHINA BOWL KIT - EBONY
8	385310048 - BOWL/BASE CLAMP KIT
9	385311462 - FLUSH BALL SEAL REPLACEMENT KIT
10	385310108 - PEDESTAL COVER KIT - WHITE 385310109 - PEDESTAL COVER KIT - BONE 385310600 - PEDESTAL COVER KIT - EBONY
11	385310064 - FLOOR FLANGE MOUNTING HARDWARE
12	385311553 - PEDAL/LEVER & CARTRIDGE KIT **Includes Item 13.
13	385236096 - SPRING CARTRIDGE KIT
14	385314349 - WATER VALVE KIT **Includes Mounting Screws.
15	385311551 - PEDAL COVER - WHITE 385311552 - PEDAL COVER - BONE 385311555 - PEDAL COVER - EBONY
16	385318162 - FLUSH BALL, SHAFT, & CARTRIDGE KIT-WHT 385310177 - FLUSH BALL, SHAFT, & CARTRIDGE KIT-EBY ** Includes Item 11.
17	385310063 - FLOOR / BASE SEAL
18	385312004 - 511H/PS BASE KIT - WHITE 385312005 - 511H/PS BASE KIT - BONE 385312055 - 511H BASE KIT - EBONY **Includes Items 8-17.
19	**Below Floor Flange Kits Sold Separately. 385345889 - 3" MPT FLOOR FLANGE 385345892 - 3" SOCKET FLOOR FLANGE 385343765 - 3" SPIGOT FLOOR FLANGE 385310961 - 45° SWIVEL FLOOR FLANGE* *Must be used with included seal.

Dometic Corporation - Sanitation Systems
13128 State Rt. 226, P.O. Box 38
Big Prairie, OH 44611-0038 USA
Telephone: 330-439-5550
Fax: 330-496-3097
Email: sealand@dometicusa.com