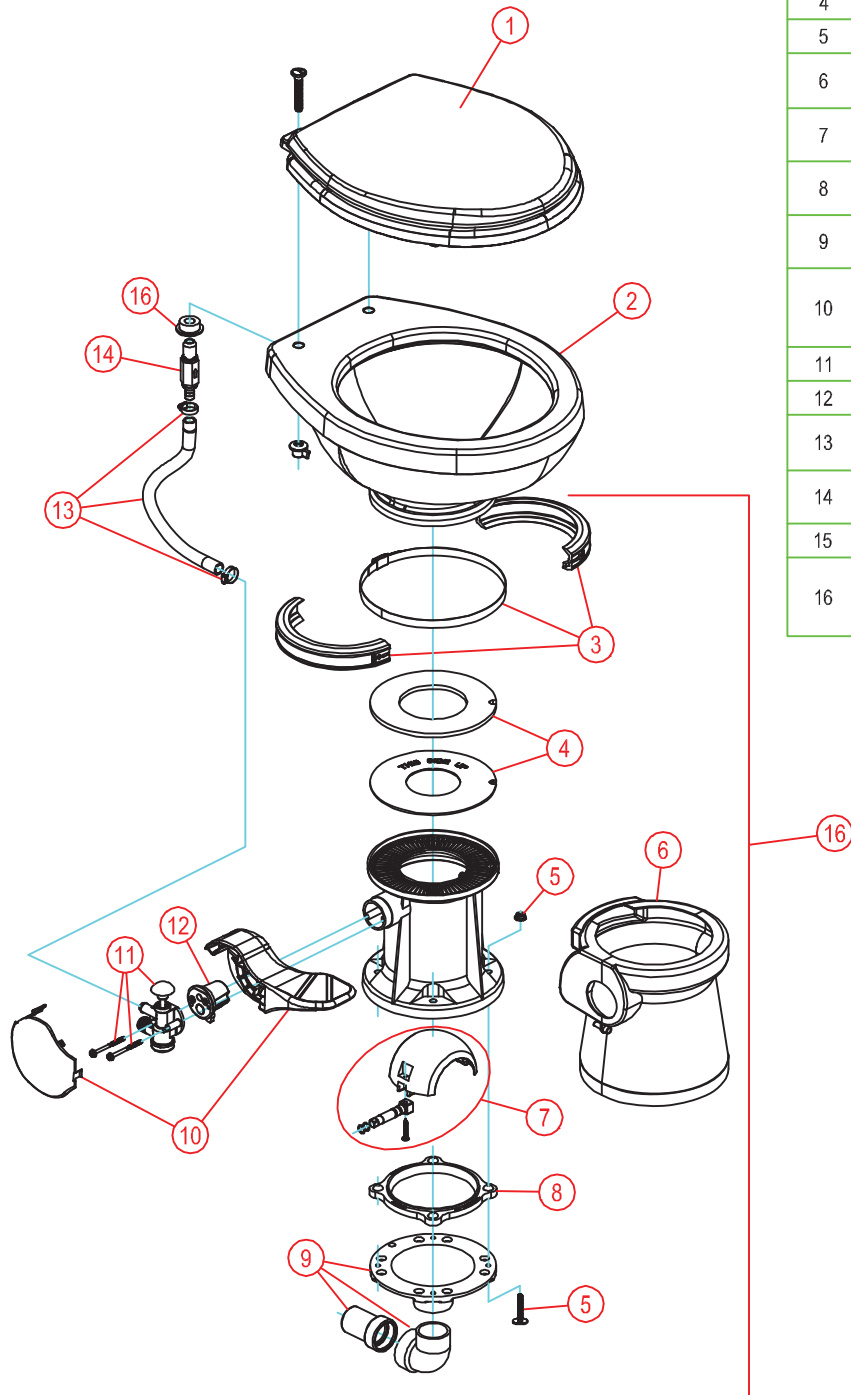


# PARTS LIST: VACUFLUSH 5009 SERIES



ITEM	PART NUMBER & DESCRIPTION
1	385343829 SEAT/COVER - WHITE 385343831 SEAT/COVER - BONE
2	385311079 CHINA BOWL KIT - WHITE 385311080 CHINA BOWL KIT - BONE
3	385310048 BOWL/BASE CLAMP KIT
4	385311462 FLUSH BALL SEAL REP'L KIT
5	385310064 MOUNTING HARDWARE
6	385310111 PEDESTAL COVER - WHITE 385310112 PEDESTAL COVER - BONE
7	385310954 FLUSH BALL, SHAFT, CARTRIDGE KIT **INCLUDES ITEM 12.
8	385310063 FLOOR FLANGE SEAL **INCLUDES ITEM 5
9	385318864 FUNNEL KIT ('06/'09 MODELS) **INCLUDES ITEM 5 & 8
10	385310682 PEDAL/CARTRIDGE KIT - WHITE 385310762 PEDAL/CARTRIDGE KIT - BONE **INCLUDES ITEM 12
11	385314349 WATER VALVE KIT
12	385310683 SPRING CARTRIDGE KIT
13	385345377 BOWL WATER SUPPLY HOSE - WHITE 385340177 BOWL WATER SUPPLY HOSE - BONE
14	385311456 CHECK VALVE KIT **INCLUDES ITEM 15
15	385311164 1/2" SEALING GROMMET
16	385311081 '09 BASE KIT PLASTIC PEDAL - WHITE 385310978 '09 BASE KIT PLASTIC PEDAL - BONE **INCLUDES ITEMS 3-12

Dometic Corporation - Sanitation Systems  
13128 State Rt. 226, P.O. Box 38  
Big Prairie, OH 44611-0038 USA  
Telephone: 330-496-3211  
Fax: 330-496-3097  
Email: sealand@dometicus.com