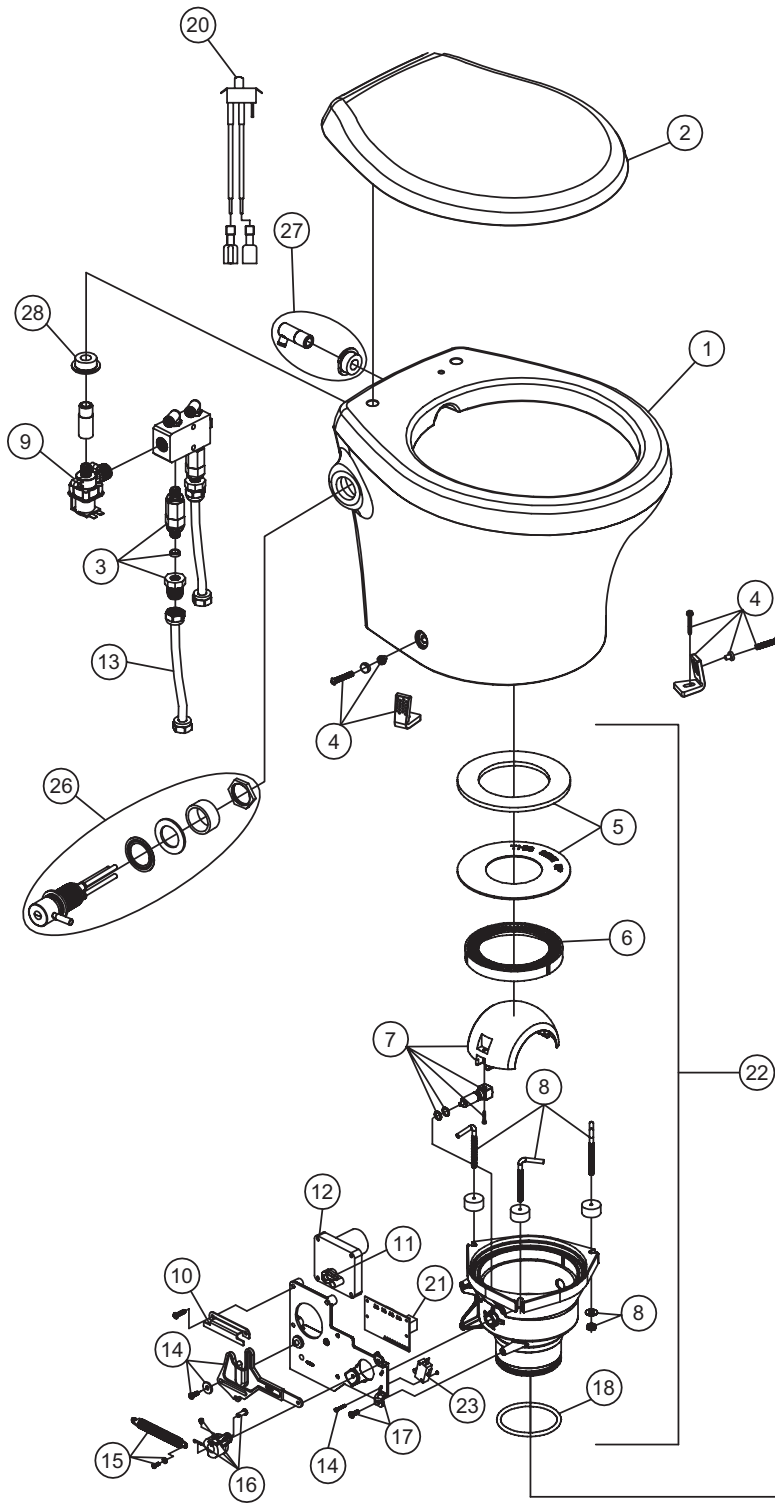
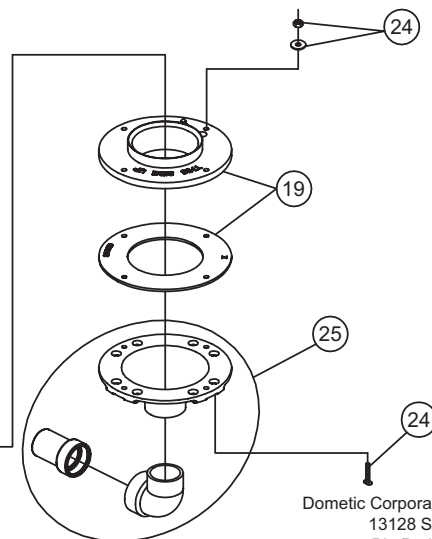


PARTS LIST: 4826 COMBO BIDET



ITEM	PART NUMBER	DESCRIPTION
1	385311746	KIT, BOWL 4800 ST W/BIDET-WHT
	385311747	KIT, BOWL 4800 ST W/BIDET-BONE
2	385311618	KIT, SEAT/CVR SLOW-CLOSE/WHT
	385311383	KIT, SEAT-CV'R 4800-BONE
3	385311727	KIT, BIDET CHECKVALVE
4	385311463	KIT, 4800 CHINA MTG
5	385311009	KIT, SEAL PLUG IN BASE
6	385311292	KIT, BASE RING INSERT
7	385310969	SHAFT/ HALF BALL KIT
8	385311011	L- BOLTS/NUTS /WASH/ PLUG IN BASE
9	385880074	KIT, WATERVALVE 12VDC-MFLUSH
	385880075	KIT, WATERVALVE 24VDC-MFLUSH
10	385311429	KIT, LINKAGE GUIDE BRACKET
11	385311299	KIT, MTR DRIVE ARM 4300/4400
12	385311300	KIT, MOTOR REPL 4800 (INC. ITEM 11) 12VDC
	385311390	KIT, MOTOR REPL 4800 (INC. ITEM 11) 24VDC
13	385311018	KIT, PLUG-IN SUPPLY HOSE
14	385311392	KIT, LINKAGE DRIVE 4800
15	3853111393	KIT, FLUSH SPRING 4800
16	385311296	KIT, ROTOR SHAFT CAM 4300/4400
17	385311394	KIT, MTG BRACKET 4800
18	385311294	KIT, O'RING PLUG-IN BASE
19	385311013	KIT, CON'TO FLOOR FLANGE ADPT
20	385311691	KIT, 4800 MODE SWITCH
21	385311690	KIT, CIRUITBD MECHANICAL BASE
THE FOLLOWING BASE KITS CONTAIN ITEMS 5-8,10-12,14-18,21,23		
22	385311740	KIT, BASE 4826 W/BIDET COMP-12
	385311741	KIT, BASE 4826 W/BIDET COMP-24
23	385311003	KIT, CONTO FLUSH SWITCH
24	385310064	KIT, MOUNT-TRAVELER-506/806
25	385318864	KIT, FUNNEL 506/806/706 (INC. 24)
26	385311721	KIT, BIDET FLUSH VALVE
27	385311722	KIT, BIDET NOZZLE
28	385311164	KIT, SEALING GROMMET 1/2"



Dometic Corporation - Sanitation Systems
13128 State Rt. 226, P.O. Box 38
Big Prairie, OH 44611-0038 USA
Telephone: 330-496-3211
Fax: 330-496-3097
Email: sealand@dometicusa.com