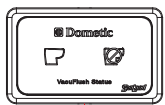
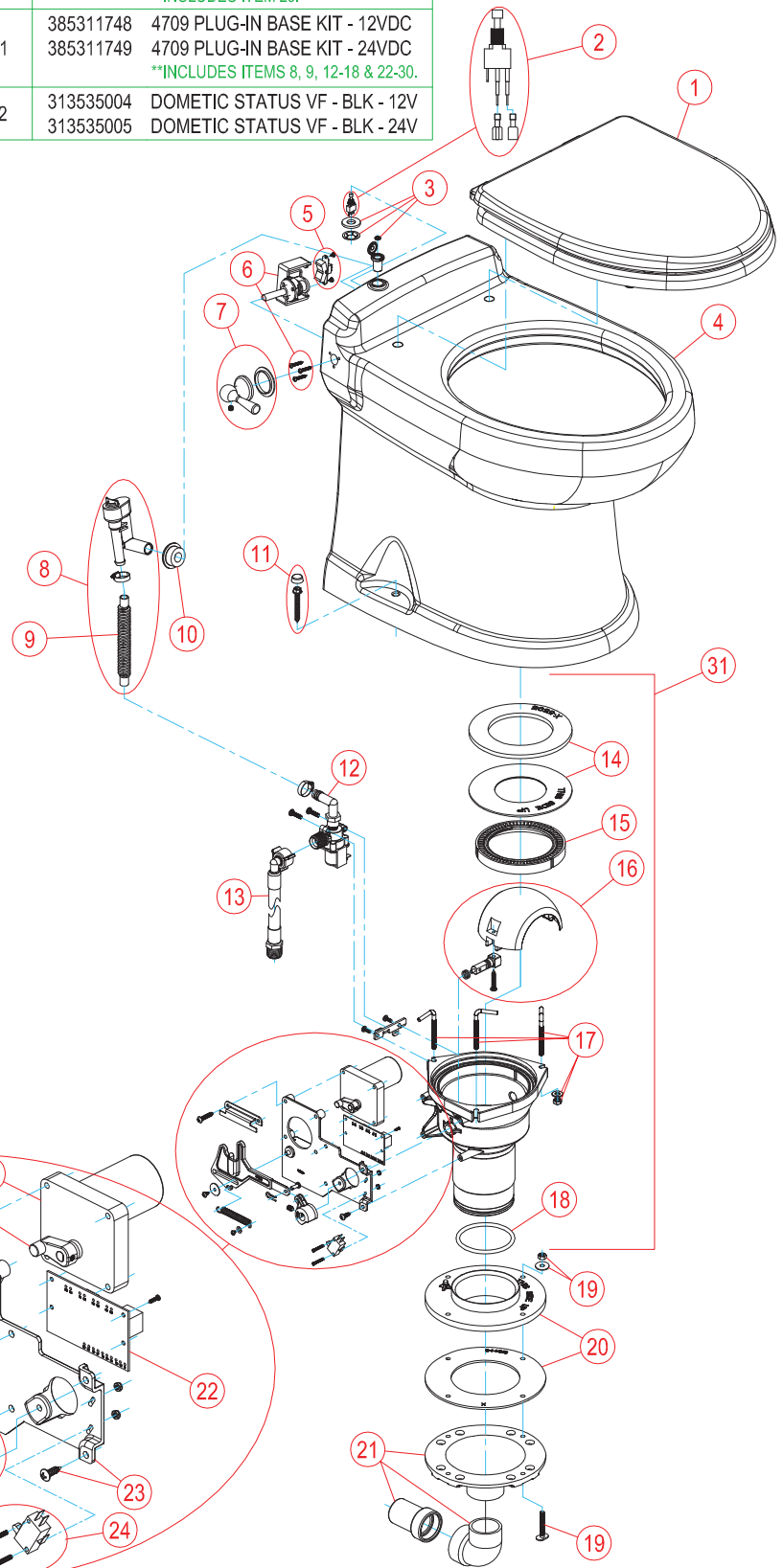


PARTS LIST: 4709 MODEL SERIES w/FLUSH HANDLE

ITEM	PART NUMBER & DESCRIPTION			
1	385311005 SEAT/COVER - WHITE	30	385311300 MOTOR REP'L KIT - 12VDC	
	385311006 SEAT/COVER - BONE		385311390 MOTOR REP'L KIT - 24VDC **INCLUDES ITEM 29.	
2	385311752 SERVICE SWITCH REPLACEMENT	31	385311748 4709 PLUG-IN BASE KIT - 12VDC	
3	385311750 SERVICE SWITCH HOUSING - WHITE 385311751 SERVICE SWITCH HOUSING - BONE		385311749 4709 PLUG-IN BASE KIT - 24VDC **INCLUDES ITEMS 8, 9, 12-18 & 22-30.	
4	385311730 4700 BOWL KIT - WHITE 385311731 4700 BOWL KIT - BONE	32	313535004 DOMETIC STATUS VF - BLK - 12V	
5	385311703 FLUSH HANDLE SWITCH w/WIRING		313535005 DOMETIC STATUS VF - BLK - 24V	
6	385311704 FLUSH HANDLE ASSEMBLY **INCLUDES ITEM 5.			
7	385310962 FLUSH HANDLE KIT - CHROME			
	385310963 FLUSH HANDLE KIT - GOLD			
	385311141 FLUSH HANDLE KIT - NICKLE			
8	385310807 VACUUM BREAKER KIT **INCLUDES ITEMS 9 & 10.			
9	385311869 CORRUGATED SUPPLY HOSE			
10	385311164 1/2" SEALING GROMMET			
11	385311022 BOWL MOUNTING HARDWARE			
12	385311545 WATER VALVE KIT - 12VDC			
	385311546 WATER VALVE KIT - 24VDC			
13	385311547 WATER SUPPLY HOSE			
14	385311009 FLUSH BALL SEAL REP'L KIT **INCLUDES ITEMS 17.			
15	385311292 BASE FLUSH BALL RING KIT			
16	385310969 FLUSH BALL/SHAFT REP'L KIT			
17	385311011 BASE TO BOWL MOUNTING HARDWARE			
18	385311294 BASE O'RING REP'L KIT			
19	385310064 FLOOR FLANGE MOUNTING HARDWARE			
20	385311013 FLOOR FLANGE ADAPTER KIT **INCLUDES ITEMS 19.			
21	385318864 VF FUNNEL KIT **INCLUDES ITEMS 19.			
22	385311690 CONTROL MODULE			
23	385311394 FLUSH MECHANISM w/MTG BRACKET **INCLUDES ITEMS 24, 25, 26, 27, 28.			
24	385311673 FLUSH ACTUATION SWITCH			
25	385311296 FLUSH BALL CAM REP'L KIT			
26	385311393 FLUSH MECHANISM RETURN SPRING			
27	385311392 FLUSH MECHANISM LINKAGE			
28	385311429 FLUSH LINKAGE GUIDE BRACKET			
29	385311299 MOTOR DRIVE ARM REP'L KIT			



32

Dometic Corporation -
Sanitation Systems
13128 State Rt. 226, P.O. Box 38
Big Prairie, OH 44611-0038 USA
Telephone: 330-496-3211
Fax: 330-496-3097
Email: sealand@dometicus.com