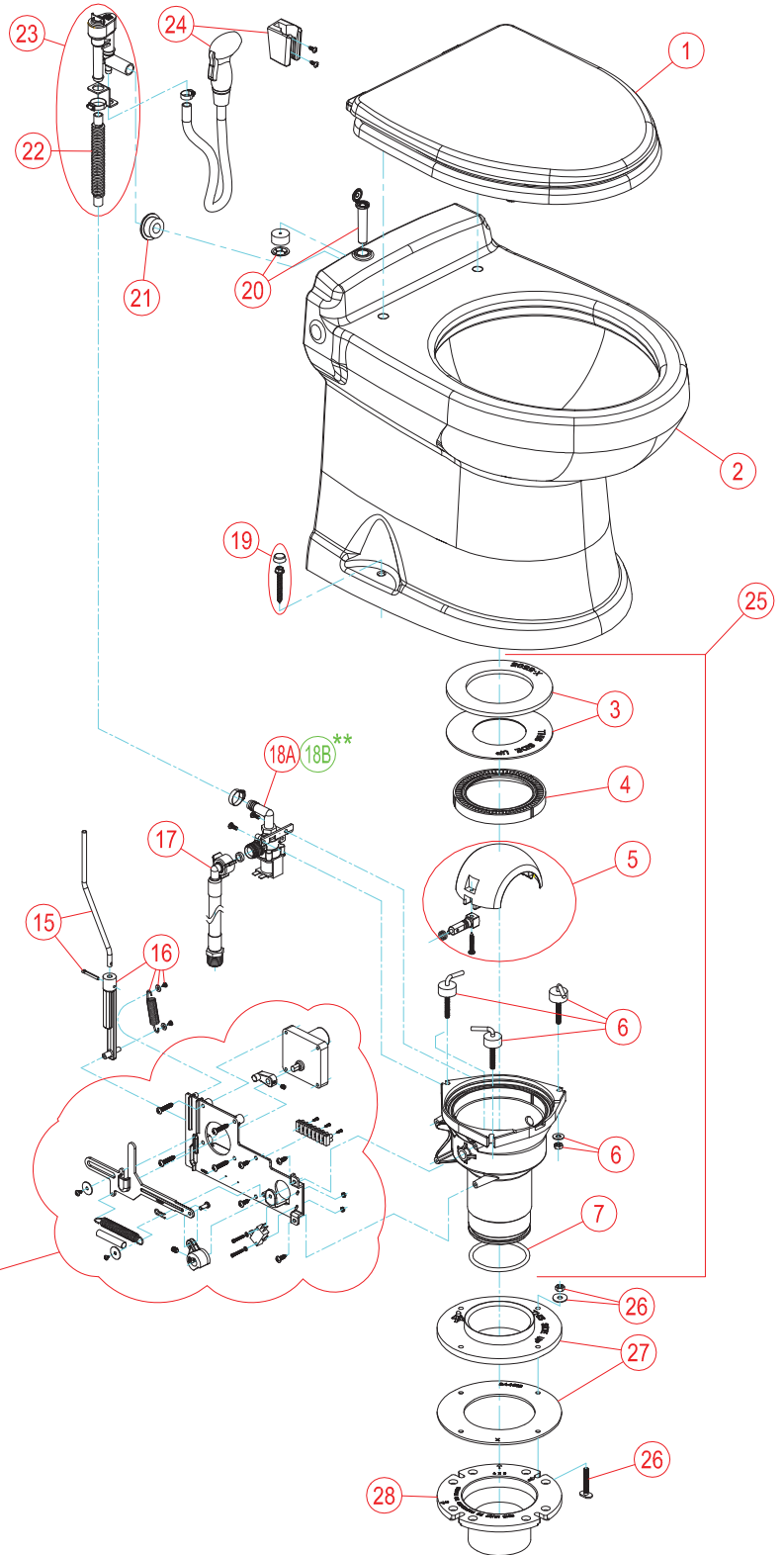


PARTS LIST: 4410 MODEL

ITEM	PART NUMBER & DESCRIPTION	26	385310064 FLOOR FLANGE MOUNTING HARDWARE	28**	385343765 3" SPIGOT FLOOR FLANGE 385345892 3" SOCKET FLOOR FLANGE 385345889 3" MPT FLOOR FLANGE 307344653 FLOOR FLANGE 45° SWIVEL
1	385311005 SEAT/COVER - WHITE	27	385311013 FLOOR FLANGE ADAPTER KIT **INCLUDES ITEMS 27	28**	
	385311006 SEAT/COVER - BONE				
	385311597 SEAT/COVER - EBONY				
2	385311730 4300/4400 BOWL KIT - WHITE				
	385311731 4300/4400 BOWL KIT - BONE				
	385311732 4300/4400 BOWL KIT - EBONY **INCLUDES ITEM 6				
3	385311009 FLUSH BALL SEAL REPL KIT **INCLUDES ITEM 6				
4	385311292 BASE FLUSH BALL RING KIT				
5	385310969 FLUSH BALL/SHAFT REPL KIT				
6	385311011 BASE TO BOWL MOUNTING HARDWARE				
7	385311294 BASE O'RING REPL KIT				
8	385311003 FLUSH ACTUATION SWITCH				
9	385311296 FLUSH BALL CAM REPL KIT				
10	385311297 FLUSH MECHANISM RETURN SPRING				
11	385311303 FLUSH MECHANISM LINKAGE				
12	385311300 MOTOR REPLACEMENT KIT - 12VDC				
13	385311299 MOTOR DRIVE ARM REPL KIT				
14	385311298 WIRING TERMINAL BLOCK REPL				
15	385311736 MANUAL OVERRIDE REPL ROD				
16	385311301 MANUAL O'RIDE REPL RETURN SPRING				
17	385311547 WATER SUPPLY HOSE				
18A	385311545 WATER VALVE KIT - 12VDC				
18B	385311709 RETROFIT WATER VALVE KIT - 12VDC **INCLUDES MOUNTING BRACKET. **FOR 2009 & OLDER MODEL TOILETS.				
19	385311022 BOWL MOUNTING HARDWARE				
20	385311733 MANUAL OVERRIDE GUIDE - WHITE				
	385311734 MANUAL OVERRIDE GUIDE - BONE				
	385311735 MANUAL OVERRIDE GUIDE - EBONY				
21	385311111 1-1/2" SEALING GROMMET				
22	385311869 CORRUGATED BOWL SUPPLY HOSE				
23	385310807 VACUUM BREAKER KIT				
	385310808 VACUUM BREAKER KIT FOR HAND SPRAY **INCLUDES ITEM 21				
24*	385310809 HAND SPRAYER - CHROME				
	385310873 HAND SPRAYER - EBONY **INCLUDES ITEM 25				
25	385311729 4310/4410 PLUG-IN BASE KIT - WHITE				
	385311737 4310/4410 PLUG-IN BASE KIT - EBONY **INCLUDES ITEM 3-16 & 18				



*ITEMS 24 IS AN OPTIONAL ACCESSORY;
NOT PROVIDED WITH EVERY MODEL.

**ITEM 28 IS SOLD SEPARATELY;
NOT INCLUDED WITH THE TOILET.

Dometic Corporation - Sanitation Systems
13128 State Rt. 226, P.O. Box 38
Big Prairie, OH 44611-0038 USA
Telephone: 330-439-5550
Fax: 330-496-3097
Email: sealand@dometicusa.com