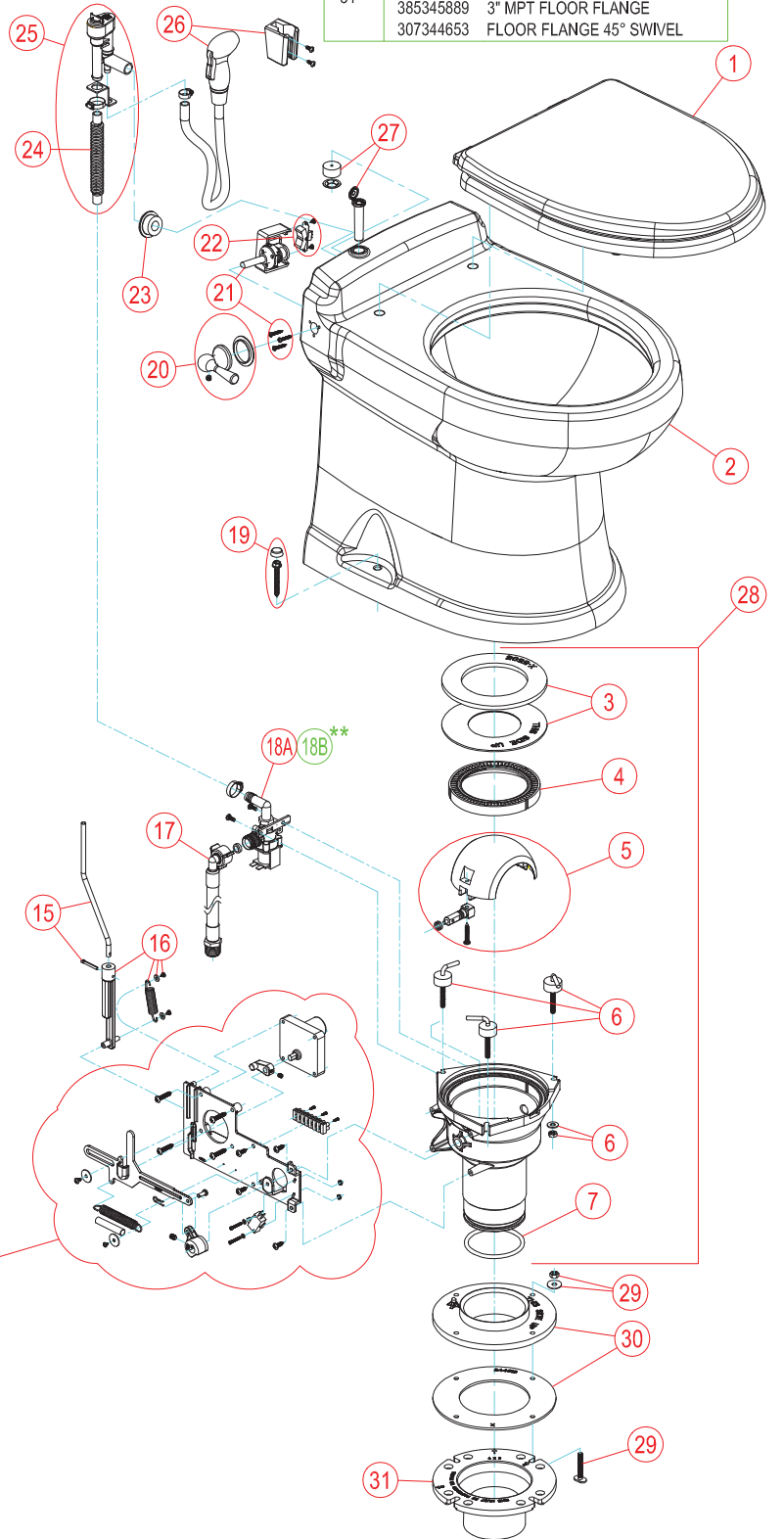
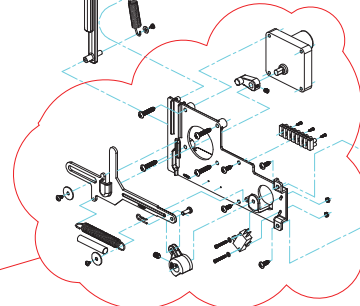
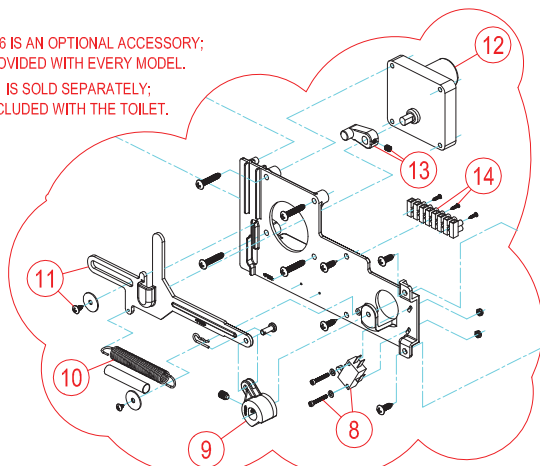


PARTS LIST: 4310 MODEL

ITEM	PART NUMBER & DESCRIPTION					
1	385311005 SEAT/COVER - WHITE	27	385311733 MANUAL OVERRIDE GUIDE - WHITE	29	385310064 FLOOR FLANGE MOUNTING HARDWARE	
	385311006 SEAT/COVER - BONE		385311734 MANUAL OVERRIDE GUIDE - BONE		30	385311013 FLOOR FLANGE ADAPTER KIT
	385311597 SEAT/COVER - EBONY		385311735 MANUAL OVERRIDE GUIDE - EBONY			**INCLUDES ITEMS 30
2	385311730 4300/4400 BOWL KIT - WHITE	28	4310/4410 PLUG-IN BASE KIT - WHITE	31**	385343765 3" SPIGOT FLOOR FLANGE	
	385311731 4300/4400 BOWL KIT - BONE		4310/4410 PLUG-IN BASE KIT - EBONY		385345892 3" SOCKET FLOOR FLANGE	
	385311732 4300/4400 BOWL KIT - EBONY		**INCLUDES ITEM 3-16 & 18		385345889 3" MPT FLOOR FLANGE	
3	385311009 FLUSH BALL SEAL REPL KIT				307344653 FLOOR FLANGE 45° SWIVEL	
	**INCLUDES ITEM 6					
4	385311292 BASE FLUSH BALL RING KIT					
5	385310969 FLUSH BALL/SHAFT REPL KIT					
6	385311011 BASE TO BOWL MOUNTING HARDWARE					
7	385311294 BASE O'RING REPL KIT					
8	385311003 FLUSH ACTUATION SWITCH					
9	385311296 FLUSH BALL CAM REPL KIT					
10	385311297 FLUSH MECHANISM RETURN SPRING					
11	385311303 FLUSH MECHANISM LINKAGE					
12	385311300 MOTOR REPLACEMENT KIT - 12VDC					
13	385311299 MOTOR DRIVE ARM REPL KIT					
14	385311298 WIRING TERMINAL BLOCK REPL					
15	385311736 MANUAL OVERRIDE REPL ROD					
16	385311301 MANUAL O'RIDE REPL RETURN SPRING					
17	385311547 WATER SUPPLY HOSE					
18A	385311545 WATER VALVE KIT - 12VDC					
18B	385311709 RETROFIT WATER VALVE KIT - 12VDC					
	**INCLUDES MOUNTING BRACKET.					
	**FOR 2009 & OLDER MODEL TOILETS.					
19	385311022 BOWL MOUNTING HARDWARE					
	385310962 FLUSH HANDLE KIT - CHROME					
	385310963 FLUSH HANDLE KIT - GOLD					
	385311141 FLUSH HANDLE KIT - NICKLE					
21	385311291 FLUSH HANDLE ASSEMBLY					
	**INCLUDES ITEM 22					
22	385311290 FLUSH HANDLE SWITCH w/WIRING					
23	385311111 1-1/2" SEALING GROMMET					
24	385311869 CORRUGATED BOWL SUPPLY HOSE					
	385310807 VACUUM BREAKER KIT					
	385310808 VACUUM BREAKER KIT FOR HAND SPRAY					
	**INCLUDES ITEM 23					
	385310809 HAND SPRAYER - CHROME					
26*	385310873 HAND SPRAYER - EBONY					
	**INCLUDES ITEM 27					



* ITEMS 26 IS AN OPTIONAL ACCESSORY;
NOT PROVIDED WITH EVERY MODEL.
** ITEM 31 IS SOLD SEPARATELY;
NOT INCLUDED WITH THE TOILET.



Dometic Corporation - Sanitation Systems
13128 State Rt. 226, P.O. Box 38
Big Prairie, OH 44611-0038 USA
Telephone: 330-439-5550
Fax: 330-496-3097
Email: sealand@dometicusa.com