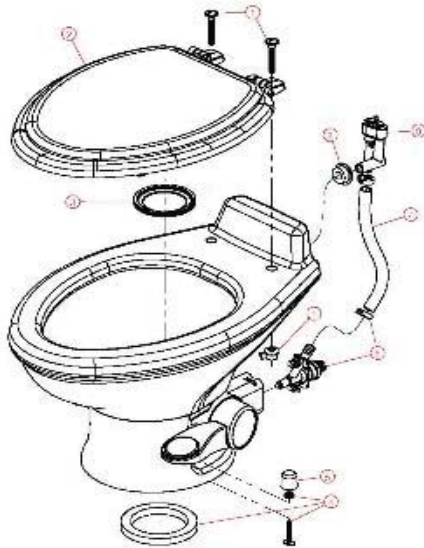


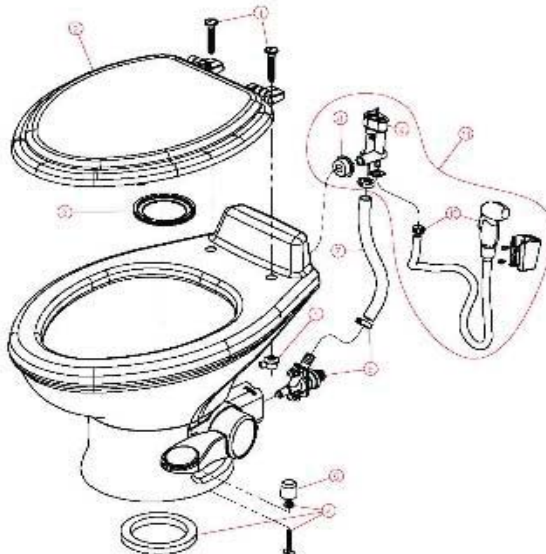
PARTS LIST: 321 & 321S LOW-PROFILE GRAVITY TOILET



ITEM	PART NUMBER & DESCRIPTION
1	385311650 - SEAT MOUNTING HARDWARE - WHITE 385311651 - SEAT MOUNTING HARDWARE - BONE
2	385311663 - 320 SEAT/COVER REPLACEMENT - WHITE 385311664 - 320 SEAT/COVER REPLACEMENT - BONE **Includes Item 1.
3	385311656 - FLUSH BALL SEAL
4	385311652 - MTG HARDWARE & FLOOR SEAL - WHITE 385311653 - MTG HARDWARE & FLOOR SEAL - BONE **Includes Item 5.
5	385311654 - FLOOR BOLT CAP - WHITE 385311655 - FLOOR BOLT CAP - BONE
6	385311641 - WATER VALVE KIT
7	385311937 - BOWL SUPPLY HOSE **Includes Mounting Clamps
8	385311164 - 1/2" SEALING GROMMET
9	385316908 - VACUUM BREAKER KIT, WITHOUT SPRAYER **Includes Item #8.

Dorco Corporation - Sanitation Systems
13129 Riverview Dr., P.O. Box 38
Elyria, OH 44021-0038 USA
Telephone: 380.499.5600
Fax: 330.496.3107
Email: usadoc@dorcoinc.com

PARTS LIST: 321 & 321S LOW-PROFILE GRAVITY TOILET



ITEM	PART NUMBER & DESCRIPTION
1	385311650 - SEAT MOUNTING HARDWARE - WHITE 385311651 - SEAT MOUNTING HARDWARE - BONE
2	385311663 - 320 SEAT/COVER REPLACEMENT - WHITE 385311664 - 320 SEAT/COVER REPLACEMENT - BONE **Includes Item 1.
3	385311656 - FLUSH BALL SEAL
4	385311652 - MTG HARDWARE & FLOOR SEAL - WHITE 385311653 - MTG HARDWARE & FLOOR SEAL - BONE **Includes Item 5.
5	385311654 - FLOOR BOLT CAP - WHITE 385311655 - FLOOR BOLT CAP - BONE
6	385311641 - WATER VALVE KIT
7	385311937 - BOWL SUPPLY HOSE **Includes Mounting Clamps
8	385311164 - 1/2" SEALING GROMMET
9	385230335 - VACUUM BREAKER KIT (for sprayer option) **Includes Item 8.
10*	385311124 - HAND SPRAYER - WHITE **Includes Mounting Bracket.
11*	385313054 - HAND SPRAY KIT w/VAC BREAKER - WHITE **Includes Items 8, 9, & 10.

*Item 11 & 12 are optional accessories,
not provided with every model.

Dorco Corporation - Sanitation Systems
13129 Riverview Dr., P.O. Box 38
Elyria, OH 44021 - 0038 USA
Telephone: 380.499.5600
Fax: 330.496.3107
Email: usadoc@dorcoinc.com