

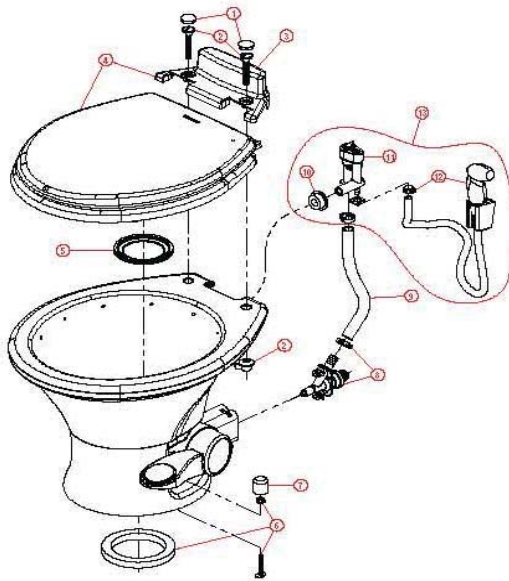
PARTS LIST: 311/311S LOW-PROFILE GRAVIFY FLUSH TOILET w/WOOD SEAT



ITEM	PART NUMBER & DESCRIPTION
1	385311648 - SEAT MOUNTING COVER - WHITE 385311649 - SEAT MOUNTING COVER - BONE
2	385311650 - SEAT MOUNTING HARDWARE - WHITE 385311651 - SEAT MOUNTING HARDWARE - BONE **Includes Item 1.
3	385311944 - VACUUM BREAKER REP'L COVER - WHITE 385311945 - VACUUM BREAKER REP'L COVER - BONE **Includes Items 1 & 3.
4	385311949 - SEAT/COVER REPLACEMENT - WHITE 385311950 - SEAT/COVER REPLACEMENT - BONE **Includes Items 1, 2, & 3.
5	385311658 - FLUSH BALL SEAL
6	385311652 - MTG HARDWARE & FLOOR SEAL - WHITE 385311653 - MTG HARDWARE & FLOOR SEAL - BONE **Includes Item 7.
7	385311654 - FLOOR BOLT CAP - WHITE 385311655 - FLOOR BOLT CAP - BONE
8	385311641 - WATER VALVE KIT
9	385311937 - BOWL SUPPLY HOSE **Includes Mounting Clamps.
10	385311164 - 1/2" SEALING GROMMET
11	385316906 - VACUUM BREAKER KIT **Includes Item 10.

Domestic Corporation - Sanitation Systems  
13128 State Rt. 226, P.O. Box 38  
Big Prairie, OH 44611-0038 USA  
Telephone: 330-433-6660  
Fax: 330-436-3097  
Email: [sealcraft@domesticusa.com](mailto:sealcraft@domesticusa.com)

PARTS LIST: 311/311S LOW-PROFILE GRAVIFY FLUSH TOILET w/WOOD SEAT



ITEM	PART NUMBER & DESCRIPTION
1	385311648 - SEAT MOUNTING COVER - WHITE 385311649 - SEAT MOUNTING COVER - BONE
2	385311650 - SEAT MOUNTING HARDWARE - WHITE 385311651 - SEAT MOUNTING HARDWARE - BONE **Includes Item 1.
3	385311944 - VACUUM BREAKER REP'L COVER - WHITE 385311945 - VACUUM BREAKER REP'L COVER - BONE **Includes Items 1 & 3.
4	385311949 - SEAT/COVER REPLACEMENT - WHITE 385311950 - SEAT/COVER REPLACEMENT - BONE **Includes Items 1, 2, & 3.
5	385311658 - FLUSH BALL SEAL
6	385311652 - MTG HARDWARE & FLOOR SEAL - WHITE 385311653 - MTG HARDWARE & FLOOR SEAL - BONE **Includes Item 7.
7	385311654 - FLOOR BOLT CAP - WHITE 385311655 - FLOOR BOLT CAP - BONE
8	385311641 - WATER VALVE KIT
9	385311937 - BOWL SUPPLY HOSE **Includes Mounting Clamps.
10	385311164 - 1/2" SEALING GROMMET
11	385230335 - VACUUM BREAKER KIT (for sprayer option) **Includes Item 10.
12**	385311124 - HAND SPRAYER - WHITE **Includes Mounting Bracket.
13**	385319054 - HAND SPRAY KIT w/VAC BREAKER - WHITE **Includes Items 10, 11, & 12C3.

\*\*Items 12 & 13 are Optional Accessories;  
Not Provided with Every Model.

Domestic Corporation - Sanitation Systems  
13128 State Rt. 226, P.O. Box 38  
Big Prairie, OH 44611-0038 USA  
Telephone: 330-433-6660  
Fax: 330-436-3097  
Email: [sealcraft@domesticusa.com](mailto:sealcraft@domesticusa.com)