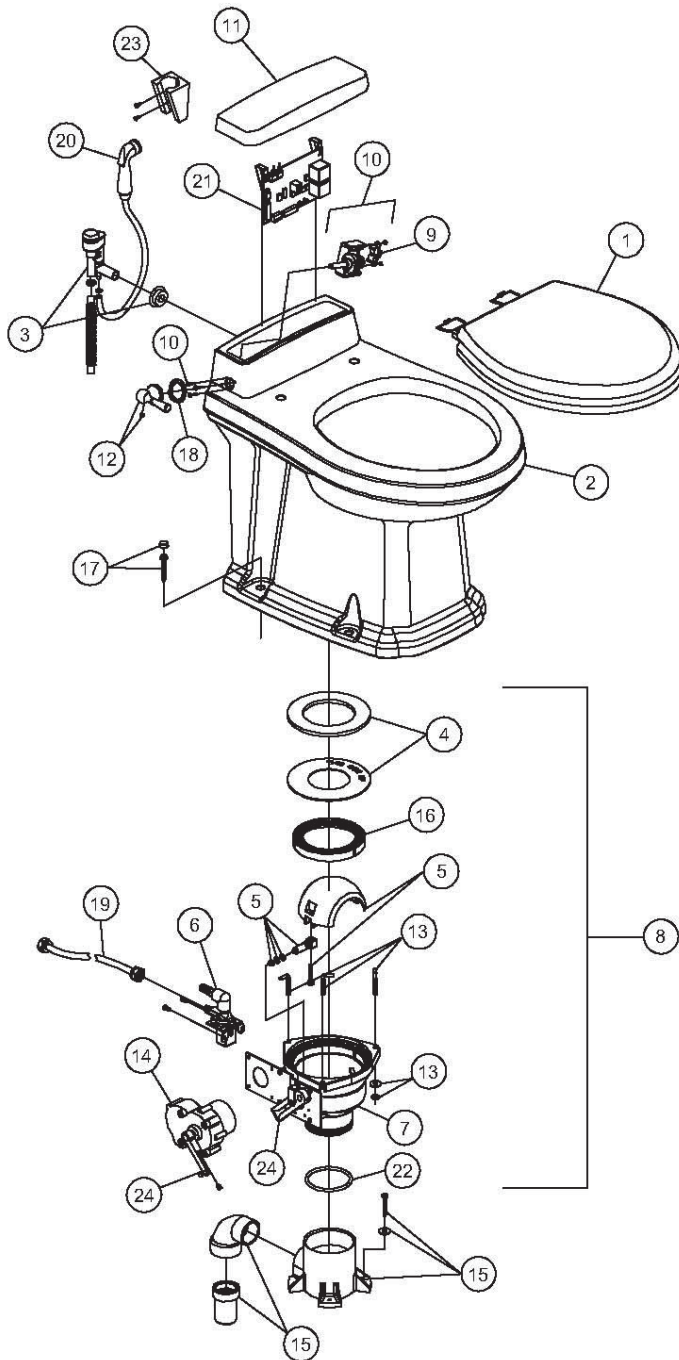


PARTS LIST: 3048 PLUG IN BASE



ITEM	PART NUMBER	DESCRIPTION
1	385344022	SEAT & COVER HF, WHITE
	385344023	SEAT & COVER HF, BONE
	385344024	SEAT & COVER HF, PLATINUM
	385344025	SEAT & COVER HF, EBONY
2	385310811	CHINA BOWL, WHITE
	385310812	CHINA BOWL, BONE
	385310867	CHINA BOWL, PLATINUM
	385310869	CHINA BOWL, EBONY
3	385310807	VACUUM BREAKER ASSEMBLY
	385310808	VACUUM BREAKER ASSY-HAND SPRAY MODEL
4	385311009	KIT, SEAL PLUG IN BASE
5	385310969	SHAFT/ HALF BALL KIT
	385310971	SHAFT/ HALF BALL KIT EBONY
6	385310821	WATER VALVE w/MOUNTING SCREWS (12VDC)
	385310845	WATER VALVE w/MOUNTING SCREWS (24VDC)
7	385311052	BASE 3048 PLUG IN 12&24
8	385311054	COMPLETE BASE ASSY 12VDC (DOES NOT INCLUDE #15)
	385311055	COMPLETE BASE ASSY 24VDC (DOES NOT INCLUDE #15)
9	385310965	KIT, ROCKER SWITCH w/CABLE
10	385310964	FLUSH CONTROL ASSY (INCLUDES CABLE)
11	385310851	ACCESS COVER, WHITE
	385310852	ACCESS COVER, BONE
	385310864	ACCESS COVER, PLATINUM
	385310866	ACCESS COVER, EBONY
12	385311141	KIT, FLUSH HANDLE-NICKLE
	385310962	FLUSH HANDLE WITH SET SCREW, CHROME
	385310963	FLUSH HANDLE WITH SET SCREW, GOLD
13	385311011	L-BOLTS/NUTS W/WASH/ PLUG IN BASE
14	385310822	MOTOR & MOUNTING HARDWARE (12VDC)
	385310846	MOTOR & MOUNTING HARDWARE (24VDC)
15	385311056	ADAPTER 48 PLUG IN
16	385311292	RING, BASE INSERT
17	385310813	CHINA BOWL MOUNTING KIT, CHROME
	385310814	CHINA BOWL MOUNTING KIT, GOLD
18	600344695	WASHER, FLUSH HANDLE
19	385311018	SUPPLY HOSE
20	385310809	HAND SPRAY, WHITE, BONE, PLATINUM
	385310873	HAND SPRAY, EBONY
21	385310888	CONTROL MODULE KIT-12VDC (VACUUM MODEL)
	385310890	CONTROL MODULE KIT-24VDC (VACUUM MODEL)
22	385311294	O-RING, BASE
23	385311131	SPRAY BRACKET, CHROME (includes screws)
	385311125	SPRAY BRACKET, EBONY (includes screws)
24	385311417	KIT, BASE DRIVE ARMS
N/S	385310854	ACCESS COVER MOUNTING KIT

* WHENEVER THE BASE IS REMOVED, YOU MUST REPLACE THE L-BOLTS AND NUTS.

Dometic Corporation - Sanitation Systems
13128 State Rt. 226, P.O. Box 38
Big Prairie, OH 44611-0038 USA
Telephone: 330-496-3211
Fax: 330-496-3097
Email: sealand@dometicus.com