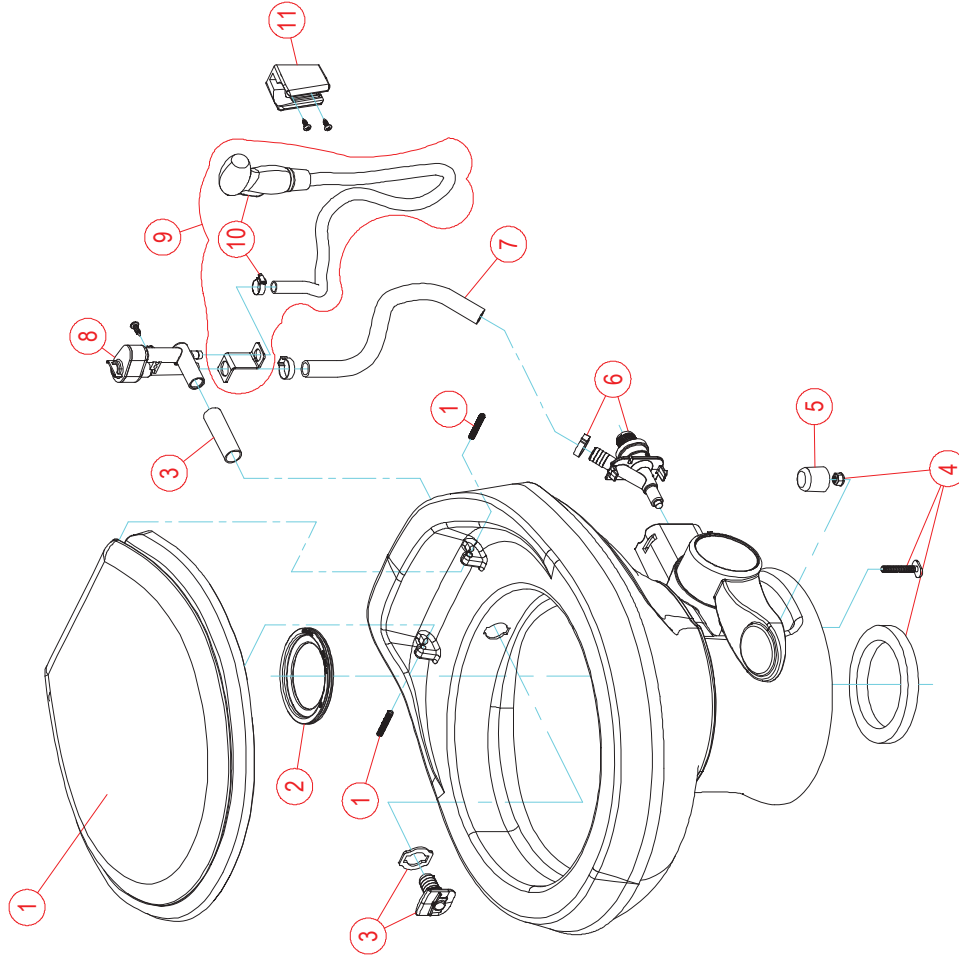


## PARTS LIST: 301 LOW-PROFILE GRAVITY FLUSH TOILET



ITEM	PART NUMBER & DESCRIPTION
1	385311930 SEAT/COVER REPLACEMENT - WHITE 385311931 SEAT/COVER REPLACEMENT - BONE **INCLUDES MOUNTING HARDWARE
2	385311658 FLUSH BALL SEAL
3	385311932 BOWL WASH SPRAY NOZZLE KIT - WHT 385311933 BOWL WASH SPRAY NOZZLE KIT - BONE
4	385311652 MOUNTING HARDWARE/SEAL - WHITE 385311653 MOUNTING HARDWARE/SEAL - BONE **INCLUDES ITEM 5
5	385311654 FLOOR BOLT CAP - WHITE
6	385311655 FLOOR BOLT CAP - BONE
7	385311641 WATER VALVE KIT
8	385311937 WATER SUPPLY HOSE - WHITE 385311938 WATER SUPPLY HOSE - BONE **INCLUDES CLAMPS
9	385230335 VACUUM BREAKER KIT w/HAND SPRAY 385316906 VACUUM BREAKER KIT
9*	385319054 HAND SPRAY KIT w/VAC BREAKER - WHT **INCLUDES ITEMS 8 & 10
10*	385311124 HAND SPRAYER - WHITE **INCLUDES ITEM 11.
11*	385230319 HAND SPRAY BRACKET w/SCREWS-WHT

\* ITEMS 9, 10, & 11 ARE OPTIONAL ACCESSORIES;  
NOT PROVIDED WITH EVERY MODEL.