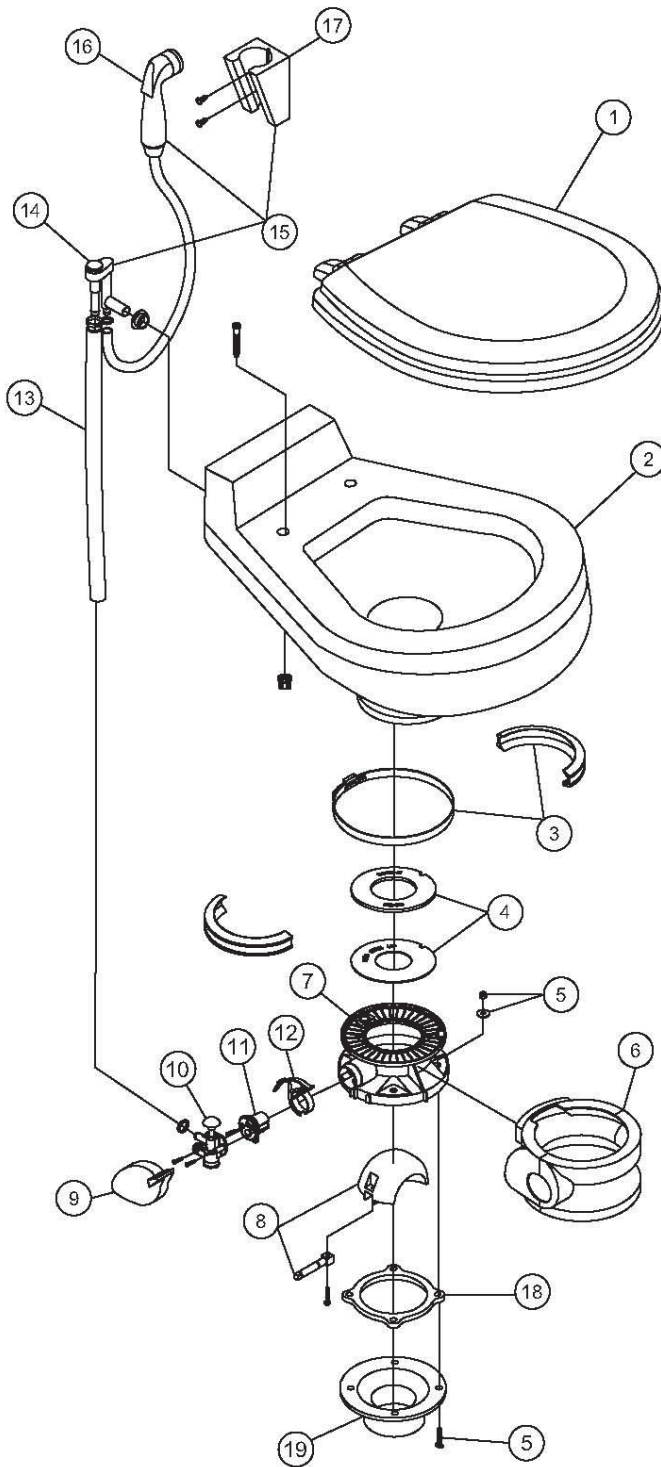


PARTS LIST: 2011



ITEM	PART NO.	DESCRIPTION
1	385344436	SEAT ASSEMBLY, WHITE
	385344437	SEAT ASSEMBLY, BONE
	385344438	SEAT ASSEMBLY, EBONY
2	385310615	CHINA BOWL KIT, WHITE
	385310616	CHINA BOWL KIT, BONE
	385310585	CHINA BOWL KIT, EBONY
3	385310048	BAND AND HALF CLAMP, KIT BONE
	385310025	BAND AND HALF CLAMP, KIT WHITE
4	385311462	SEAL REPLACEMENT, KIT
5	385310064	MOUNTING HARDWARE
6	385310108	PEDESTAL COVER KIT, WHITE
	385310109	PEDESTAL COVER KIT, BONE
	385310600	PEDESTAL COVER KIT, EBONY
7	385310123	BASE KIT, WHITE (inc items 3-12)
	385310124	BASE KIT, BONE (inc items 3-12)
	385310588	BASE KIT, EBONY (inc items 3-12)
8	385318162	KIT,BALL,SHAFT & CART, WHITE(inc. item 11)
	385310177	KIT,BALL,SHAFT & CART, EBONY(inc. item 11)
9	385310117	PEDAL COVER, WHITE
	385310118	PEDAL COVER, BONE
	385310593	PEDAL COVER, EBONY
10	385314349	WATER VALVE, KIT
11	385236096	SPRING CARTRIDGE, KIT
12	385310579	PEDAL, CARTRIDGE, KIT (inc. item 11)
13	385340177	HOSE, SUPPLY - BONE & EBONY.
	385345377	HOSE, SUPPLY - WHITE
14	385316906	VACUUM BREAKER, KIT - WITHOUT SPRAY
	385230335	VACUUM BREAKER, KIT - WITH SPRAY
15	385319056	VACUUM BREAKER, SPRAY & BRACKET, KIT
16	385310809	HAND SPRAY, CHROME
	385310873	HAND SPRAY, EBONY.
17	385311131	BRACKET,HAND SPRAY-CHROME
	385311125	BRACKET,HAND SPRAY-EBONY
18	385310063	FLOOR FLANGE, KIT (inc item 5)
19	385345889	FLOOR FLANGE, 3" MPT
	385345892	FLOOR FLANGE, 3" SOCKET
	385343765	FLOOR FLANGE, 3" SPIGOT
	385310961	FLOOR FLANGE ADAPTER, 45° SWIVEL <small>*MUST BE USED WITH SEAL PROVIDED.</small>

(ITEM 19 SOLD SEPARATELY)

Dometic Corporation - Sanitation Systems
13128 State Rt. 226, P.O. Box 38
Big Prairie, OH 44611-0038 USA
Telephone: 330-496-3211
Fax: 330-496-3097
Email: sealand@dometicus.com