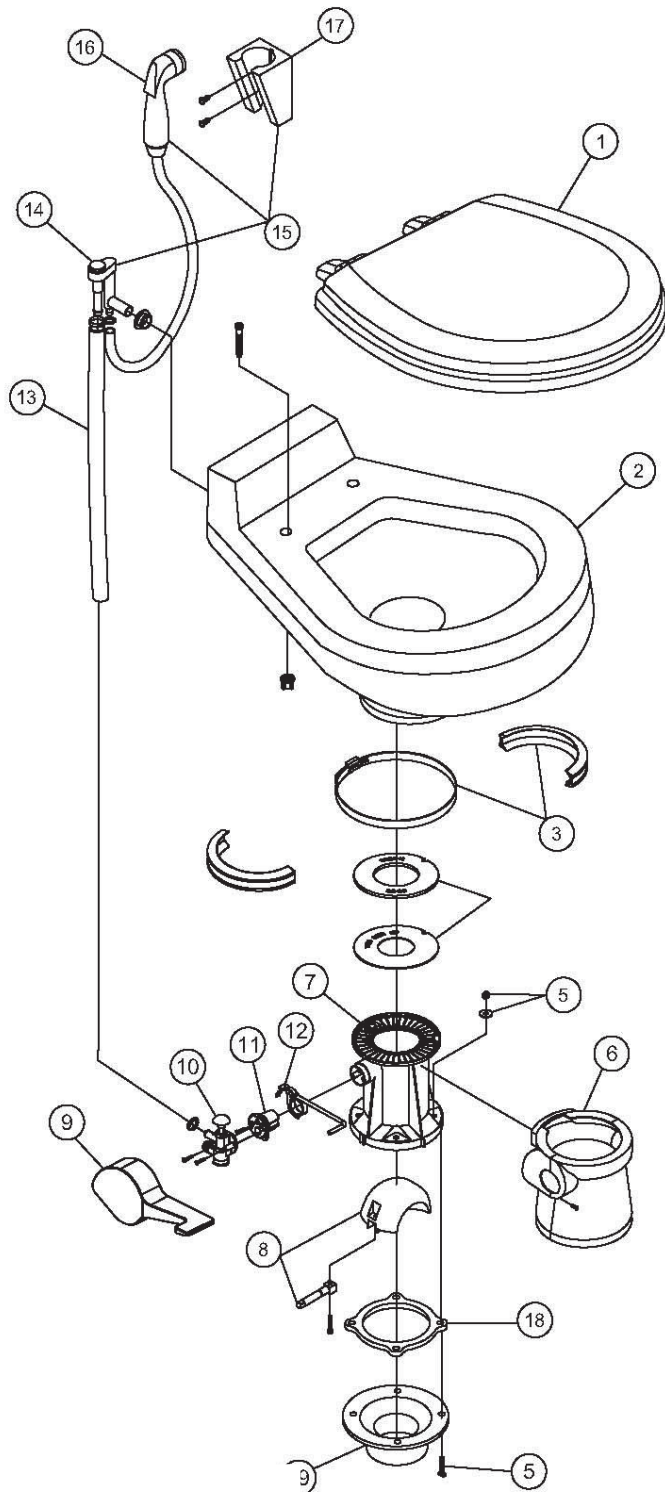


PARTS LIST: 2010



| ITEM | PART NO. | DESCRIPTION |
|------|-----------|---|
| 1 | 385344436 | SEAT ASSEMBLY, WHITE |
| | 385344437 | SEAT ASSEMBLY, BONE |
| | 385344438 | SEAT ASSEMBLY, EBONY |
| 2 | 385310615 | CHINA BOWL KIT, WHITE |
| | 385310616 | CHINA BOWL KIT, BONE |
| | 385310585 | CHINA BOWL KIT, EBONY |
| 3 | 385310048 | BAND & HALF CLAMP KIT BONE |
| | 385310025 | BAND & HALF CLAMP KIT WHITE |
| 4 | 385311462 | SEAL REPLACEMENT KIT |
| 5 | 385310064 | MOUNTING HARDWARE |
| 6 | 385310111 | PEDESTAL COVER KIT - WHITE |
| | 385310112 | PEDESTAL COVER KIT - BONE |
| | 385310173 | PEDESTAL COVER KIT - EBONY |
| 7 | 385310120 | BASE KIT- WHITE (inc items 3-12) |
| | 385310121 | BASE KIT- BONE (inc items 3-12) |
| | 385310169 | BASE KIT- EBONY (inc items 3-12) |
| 8 | 385318162 | KIT,BALL,SHAFT & CART- WHITE(inc. item 11) |
| | 385310177 | KIT,BALL,SHAFT & CART- EBONY(inc. item 11) |
| 9 | 385310114 | PEDAL COVER - WHITE |
| | 385310115 | PEDAL COVER - BONE |
| | 385310175 | PEDAL COVER - EBONY |
| 10 | 385314349 | WATER VALVE - KIT |
| 11 | 385236096 | SPRING CARTRIDGE - KIT |
| 12 | 385310578 | PEDAL, CARTRIDGE, KIT (inc. item 11) |
| 13 | 385340177 | HOSE, SUPPLY - BONE & EBONY. |
| | 385345377 | HOSE, SUPPLY - WHITE |
| 14 | 385316906 | VACUUM BREAKER, KIT - USED WITHOUT SPRAY |
| | 385230335 | VACUUM BREAKER, KIT - USED WITH SPRAY |
| 15 | 385319056 | VACUUM BREAKER, COMPLETE - CHROME |
| | 385319057 | VACUUM BREAKER, COMPLETE - EBONY |
| 16 | 385310873 | HAND SPRAY - EBONY. |
| | 385310809 | HAND SPRAY - CHROME |
| 17 | 385311131 | BRACKET,HAND SPRAY-CHROME |
| | 385311125 | BRACKET,HAND SPRAY-EBONY |
| 19 | 385310063 | FLOOR FLANGE, (inc item 5) |
| | 385345889 | FLOOR FLANGE, 3" MPT |
| | 385345892 | FLOOR FLANGE, 3" SOCKET |
| | 385343765 | FLOOR FLANGE, 3" SPIGOT |
| | 385310961 | FLOOR FLANGE ADAPTER, 45° SWIVEL (MUST BE USED WITH SEAL INC.) |

(ITEM 19 SOLD SEPARATELY)

Dometic Corporation - Sanitation Systems
13128 State Rt. 226, P.O. Box 38
Big Prairie, OH 44611-0038 USA
Telephone: 330-496-3211
Fax: 330-496-3097
Email: sealand@dometicusa.com