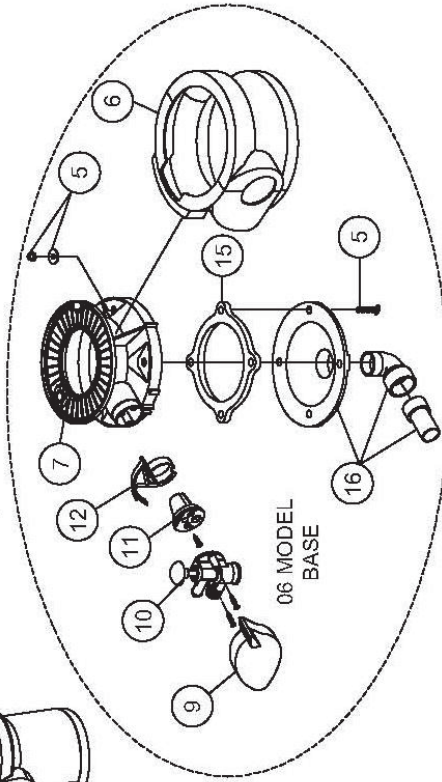
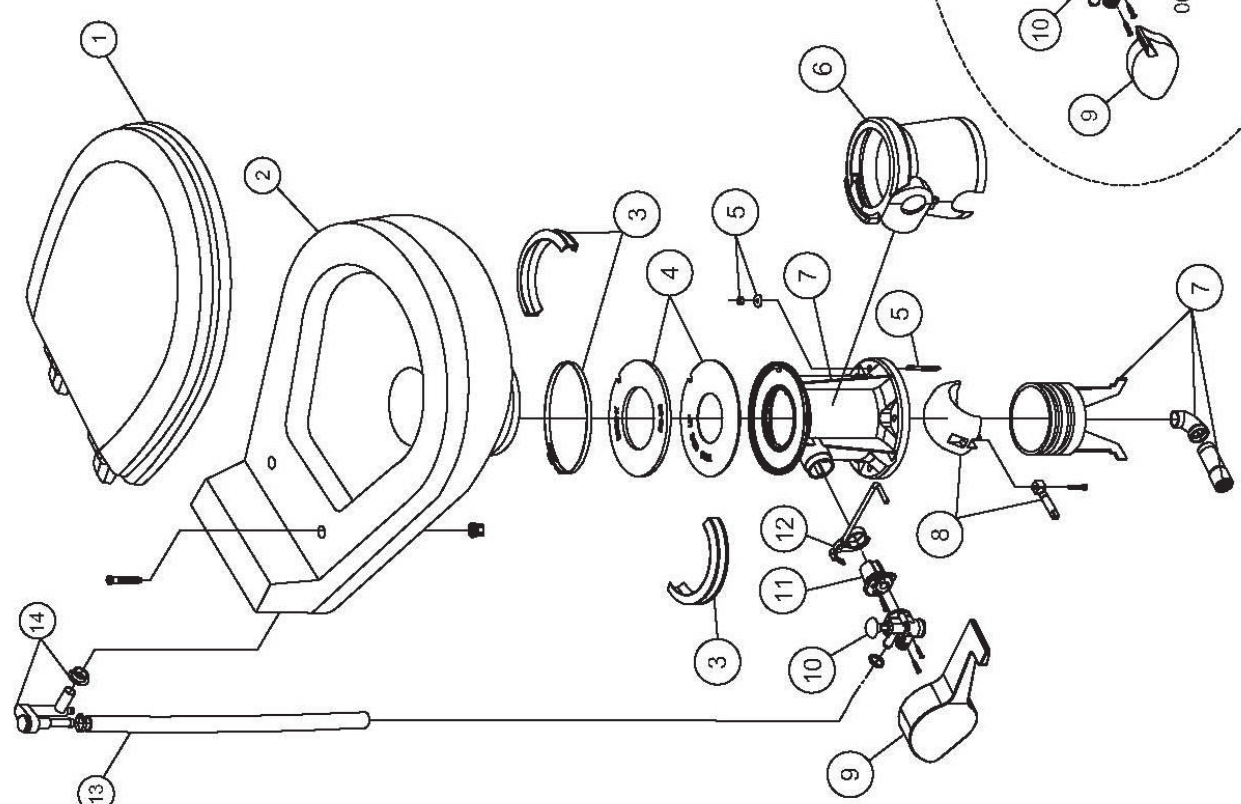


PARTS LIST: VACUFLUSH MODELS 1006 - 1008 - 1047 - 1048 - 1049

ITEM	PART NUMBER		DESCRIPTION
	1008	1047 1048 1049	
1	385344436		SEAT ASSEMBLY, WHITE
	385344437		SEAT ASSEMBLY, BONE
2	385310615		CHINA BOWL KIT, WHITE
	385310616		CHINA BOWL KIT, BONE
3	385310025		BAND AND HALF CLAMP, KIT WHITE
	385310048		BAND AND HALF CLAMP, KIT BONE
4	385311462		SEAL REPLACEMENT, KIT
5	385310064		MOUNTING HARDWARE
	385310674	385310136 385310904	PEDESTAL COVER KIT, WHITE
6	385310108	385310613 385310137 385310913	PEDESTAL COVER KIT, BONE
	385310109	385310746 385310174 N/A	PEDESTAL COVER KIT, EBONY
	385310600	385310126 385310665 385310129 385310911	BASE KIT, WHITE (inc. Items 3-12)
	385310132	385310127 385310614 385310130 385310912	BASE KIT, BONE (inc. Items 3-12)
7	385310133	N/A 385310172 N/A	BASE KIT, EBONY (inc. Items 3-12)
	385310607		KIT, BALL SHAFT & CART, WHITE (inc. Item 14)
8	385318162		KIT, BALL SHAFT & CART, EBONY (inc. Item 14)
	385310177		PEDAL COVER, WHITE
9	385310117	385310111	PEDAL COVER, BONE
	385310118	385310115	PEDAL COVER, EBONY
10	385310593	385310175	KIT, WATER VALVE
		385314349	KIT, SPRING CARTRIDGE
11		385236096	KIT, LEVER/CART-BASE
12	385310579	385310578	HOSE, SUPPLY - BONE.
		385340177	HOSE, SUPPLY - WHITE
13		385345377	VACUUM BREAKER, KIT
14		385316906	KIT, FLOOR FLANGE SEAL
15	385310063		KIT, FUNNEL 506/606/706
16	385318864		KIT, FUNNEL 08
N/S	385318741		



TOILET MODEL	DISCHARGE LOCATION
1008	THROUGH THE FLOOR
1047	OPPOSITE PEDAL
1048	REAR OF TOILET
1049	UNDER PEDAL
1006	THROUGH THE FLOOR

Dometic Corporation - Sanitation Systems
13128 State Rt. 226, P. O. Box 38
Big Prairie, OH 44611-0038 USA
Telephone: 330-496-3211
Fax: 330-496-3097
Email: sealand@dometicusa.com