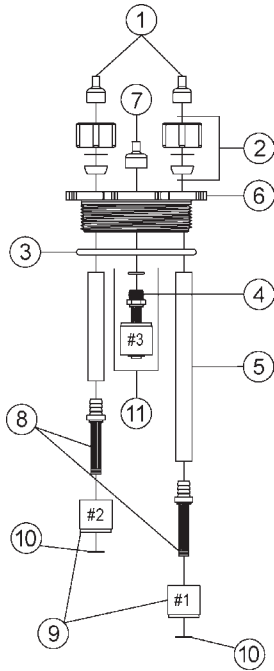


PARTS LIST: Accessories, Model TankWatch 4 (TW4)

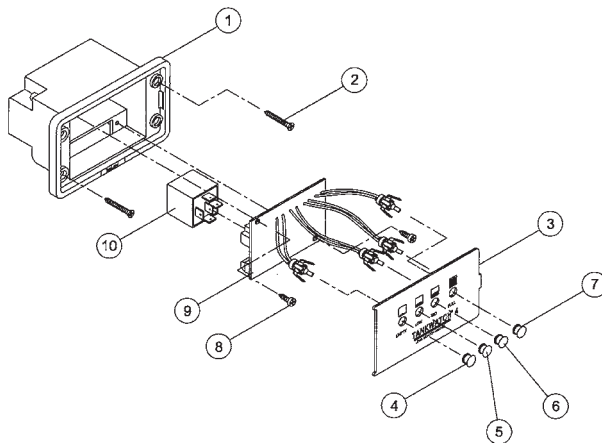
TankWatch 4 Probe Cap



Item	Part	Description
1	600342260	Wire Cover, Pull Tab Cap
2	385310258	Compression Nut/Washer Kit
3	600347587	Cap O-Ring
4	600340425	Reed Switch Stem (threaded)
5	600342238	Polyethylene Tubing
6	600342114	Adjustable Level Cap with Vent
6	600342115	Adjustable Level Cap without Vent
7	600342262	Wire Cover, Pull Tab Cap
8	600343657	Reed Switch Stem (barbed)
9	600340423	Reed Float
10	600340424	Ring Clip
11	385230268	Float Stem Kit (incl. items 4, 9, 10)
12	385230930	Probe Kit (incl. items 5, 8-10)
N/S	313000350	Cap Assy, with Vent (incl. items 1-12)
N/S	313000355	Cap Assy, without Vent (incl. items 1-12)

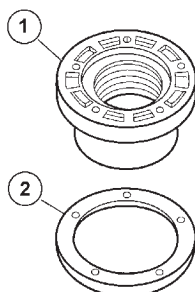
NOTE: If it is necessary to remove or replace the Float Switch Assembly (item 4) be sure to use the O-ring and tighten switch to 8-10 inch-lbs. over-tightening is not necessary and will cause damage to the parts.

TankWatch 4 Panel



Item	Part	Description
1	600342400	Housing, Indicator Panel
2	600340471	Screw, #6 x 1" Phillips, Oval Head
3	600343662	TankWatch 4 Face Plate - Black
	600343661	TankWatch 4 Face Plate - White
4	600342495	Lens, Green
5	600343598	Lens, Yellow
6	600342494	Lens, Amber
7	600342493	Lens, Red
8	600340488	Screw, #6 x 3/8" Pan Head, Phillips
9	385310693	TankWatch 4 Control Panel
10	600341292	Optional 12 VDC Relay
	600342490	Optional 24VDC Relay
	385310666	TankWatch 4 Indicator Panel (includes items 1-9)

Universal Flange Adapter



Item	Part	Description
1	600340406	Universal Mounting Flange
2	600340407	Universal Mounting Flange Gasket
3	307230272	Universal Mounting Flange Kit (includes items 1, 2, mounting hardware and instructions.)