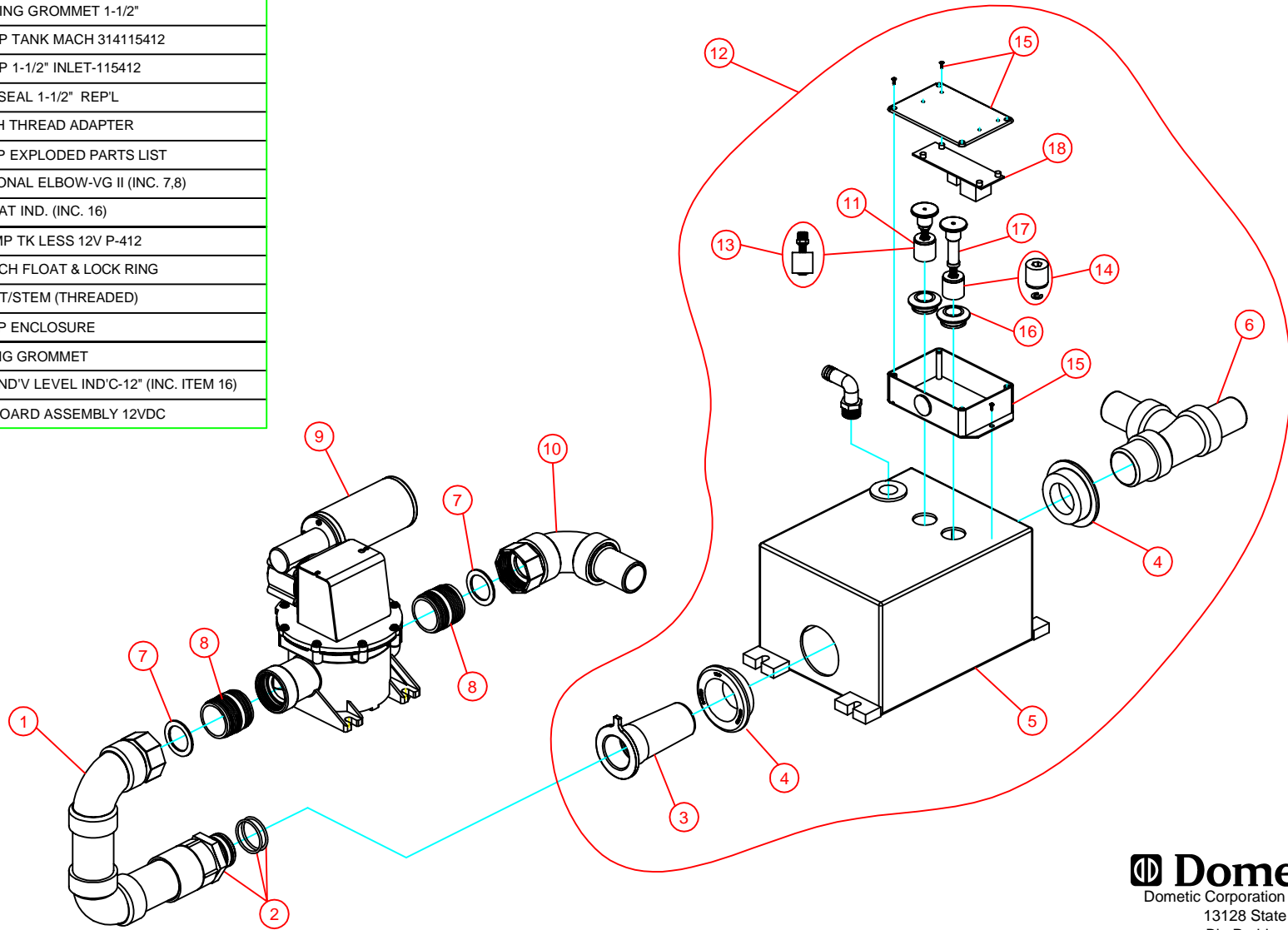
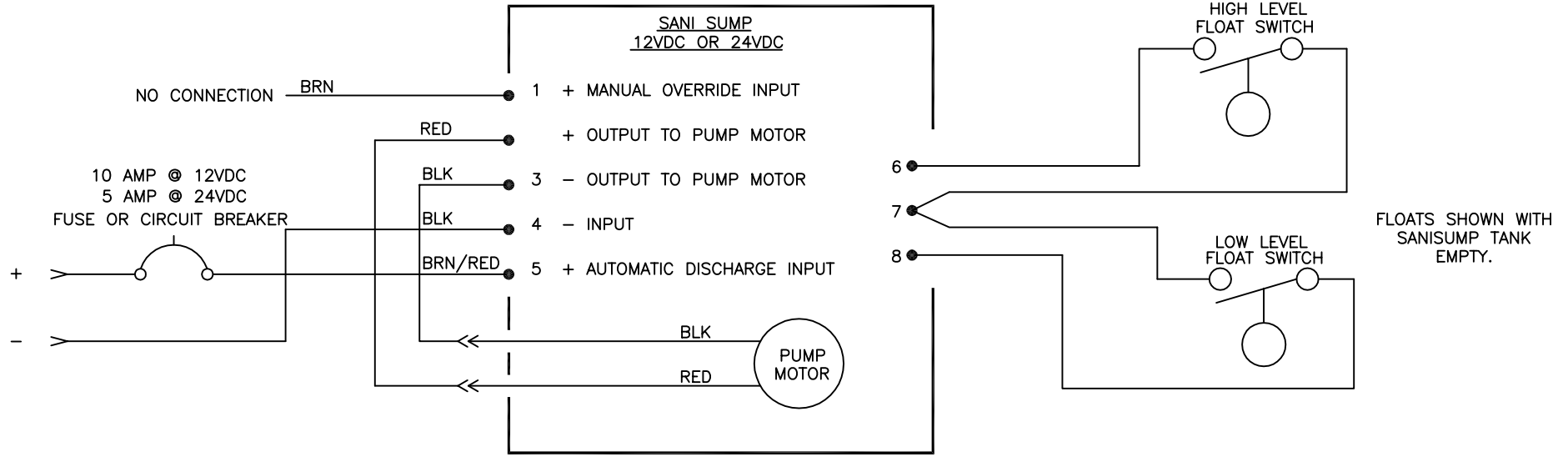


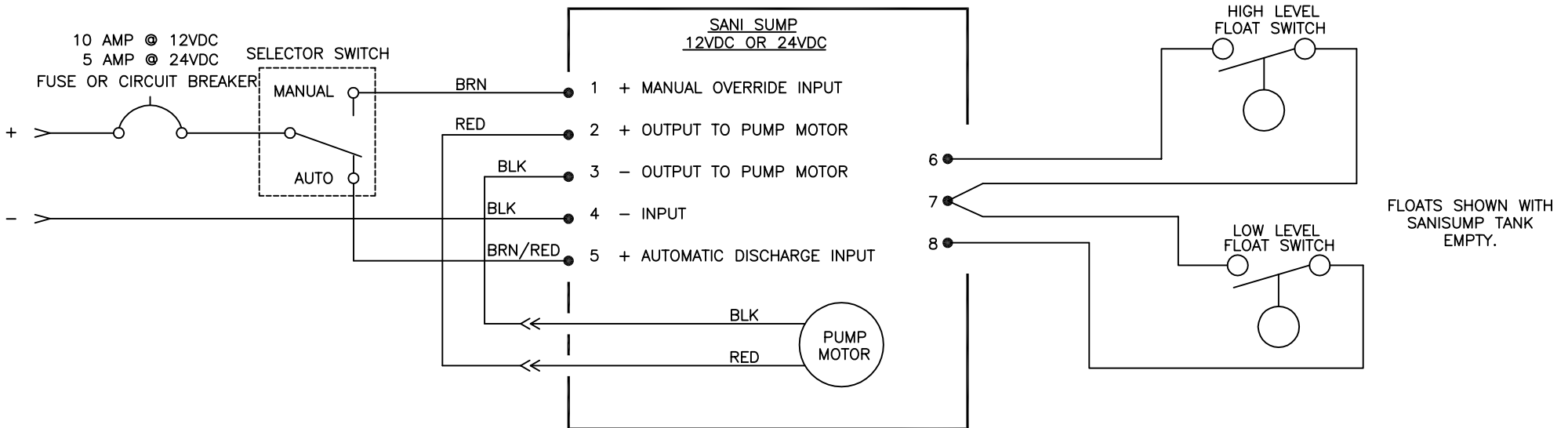
# PARTS LIST: SANISUMP 12/SP PLB-PURSUIT

ITEM	PART NO.	DESCRIPTION
1	385311502	KIT, SANISUMP INLET 314115412
2	385311317	KIT, PUMP ADAPT TO DIPTUBE FIT
3	385310754	KIT, DIPTUBE-LOW PROFILE VG
4	385311111	KIT, SEALING GROMMET 1-1/2"
5	385311503	KIT, SSUMP TANK MACH 314115412
6	385311504	KIT, SSUMP 1-1/2" INLET-115412
7	385311233	KIT, SLIP SEAL 1-1/2" REPL
8	385640370	KIT, LH/RH THREAD ADAPTER
9	N/A	SEE PUMP EXPLODED PARTS LIST
10	385310535	KIT, OPTIONAL ELBOW-VG II (INC. 7,8)
11	313900101	FULL FLOAT IND. (INC. 16)
12	385311506	KIT, SSUMP TK LESS 12V P-412
13	385311103	KIT, SWITCH FLOAT & LOCK RING
14	385230268	KIT, FLOAT/STEM (THREADED)
15	385310650	SANISUMP ENCLOSURE
16	385311164	1/2" SEALING GROMMET
17	385311253	KIT, ADJ IND'V LEVEL IND'C-12" (INC. ITEM 16)
18	385310659	CIRCUITBOARD ASSEMBLY 12VDC





WIRING DIAGRAM SHOWING AUTOMATIC DISCHARGE ONLY



WIRING DIAGRAM SHOWING OPTIONAL SELECTOR SWITCH FOR MANUAL AND AUTO DISCHARGE

IMPORTANT: READ BEFORE INSTALLING SANI SUMP

- USE 12 OR 14 GA STRANDED COPPER WIRE.
- CIRCUIT BREAKER IS NOT SUPPLIED BY SEALAND.
- OPTIONAL S.T.D.P. SELECTOR SWITCH NOT SUPPLIED
- CAUTION: REVERSE POLARITY WILL DAMAGE CIRCUIT BOARD.

- CAUTION: SANI SUMP IS NOT AN IMMERSABLE PRODUCT. MOUNT IN AREA ABOVE MAXIMUM BILGE WATER LINE.
- OPTIONAL BONDING WIRE CAN BE CONNECTED TO ONE OF THE FOUR MOTOR BRACKET MOUNTING SCREWS.



Dometic Corporation - Sanitation Systems  
 13128 State Rt. 226, P.O. Box 38  
 Big Prairie, OH 44611-0038 USA  
 Telephone: 330-496-3211  
 Fax: 330-496-3097  
 Email: sealand@dometicusa.com