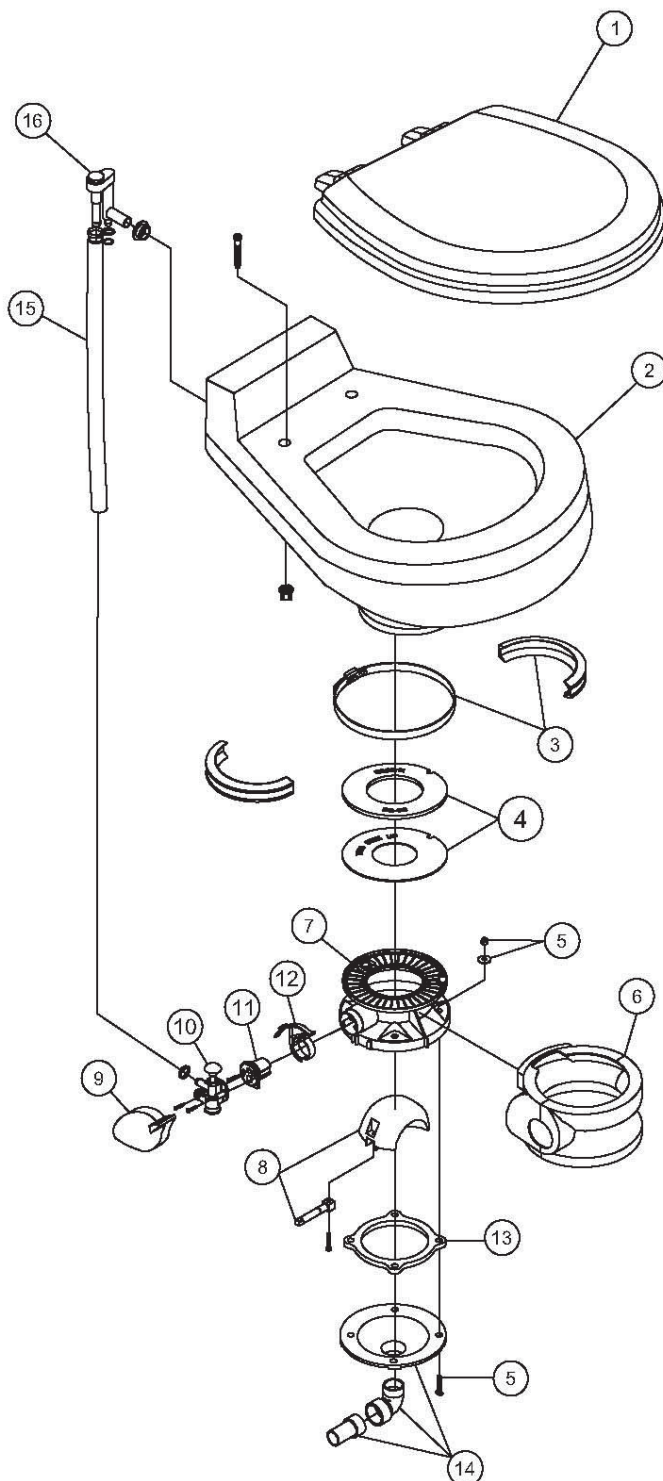


PARTS LIST: 806



ITEM	PART NO.	DESCRIPTION
1	385344436	SEAT ASSEMBLY, WHITE
	385344437	SEAT ASSEMBLY, BONE
2	385310032	CHINA BOWL KIT, WHITE
	385310033	CHINA BOWL KIT, BONE
3	385310048	BAND & HALF CLAMP KIT - BONE
	385310025	BAND & HALF CLAMP KIT - WHITE
4	385311462	KIT, BASE SEAL/2 SEALS
5	385310064	MOUNTING HARDWARE
6	385310108	PEDESTAL COVER KIT - WHITE
	385310109	PEDESTAL COVER KIT - BONE
7	385310132	BASE KIT- WHITE (inc items 3-14)
	385310133	BASE KIT- BONE (inc items 3-14)
8	385318162	KIT,BALL,SHAFT & CART-(inc. item 11)
9	385310117	PEDAL COVER - WHITE
	385310118	PEDAL COVER - BONE
10	385314349	WATER VALVE - KIT
11	385236096	SPRING CARTRIDGE - KIT
12	385310579	PEDAL, CARTRIDGE, KIT (inc. item 11)
13	385310063	FLOOR FLANGE, (inc item 5)
14	385318864	KIT, FUNNEL 506/806/706 (inc. item 5)
15	385340177	HOSE, SUPPLY - BONE
	385345377	HOSE, SUPPLY - WHITE
16	385316906	VACUUM BREAKER, KIT

Dometic Corporation - Sanitation Systems
 13128 State Rt. 226, P.O. Box 38
 Big Prairie, OH 44611-0038 USA
 Telephone: 330-496-3211
 Fax: 330-496-3097
 Email: sealand@dometicusa.com