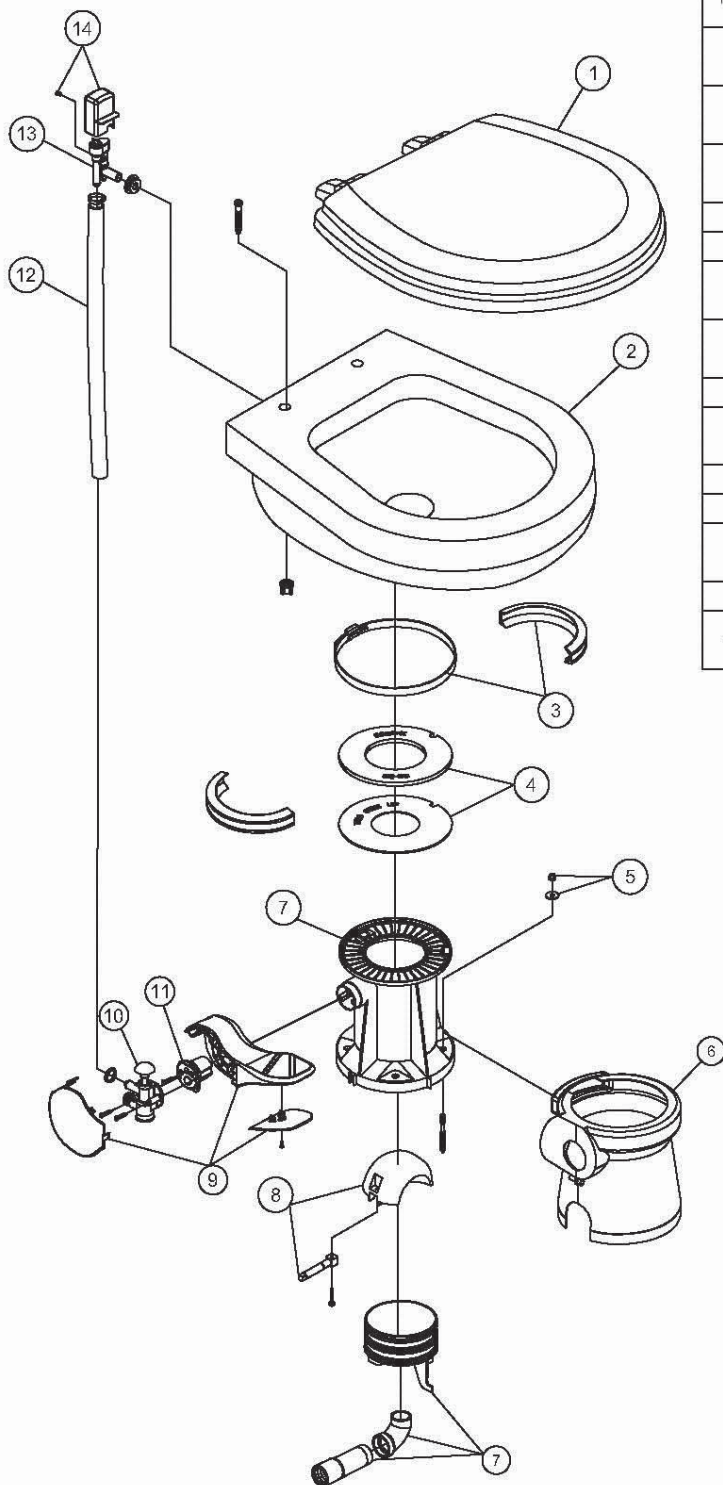


## PARTS LIST: VACUFLUSH 748 - 749



ITEM	PART NO.		DESCRIPTION
	748	749	
1	385344436		SEAT ASSEMBLY, WHITE
	385344437		SEAT ASSEMBLY, BONE
2	385310676		CHINA BOWL KIT, WHITE
	385310781		CHINA BOWL KIT, BONE
3	385310025		BAND AND HALF CLAMP, KIT WHITE
	385310048		BAND AND HALF CLAMP, KIT BONE
4	385311462		SEAL REPLACEMENT , KIT
5	385316323		MOUNTING HARDWARE
6	385310136	385310904	PEDESTAL COVER KIT , WHITE
	385310137	N/A	PEDESTAL COVER KIT , BONE
7	385310910	385310903	BASE KIT, WHITE (inc items 3-11 & 14,15)
	385311086	N/A	BASE KIT, BONE (inc items 3-11 & 14,15)
8	385310954		KIT, BALL/BRASS SHAFT/P CART (inc. item 11)
9	385310682		PEDAL, CARTRIDGE, KIT WHITE (inc. item 11)
	385310762		PEDAL, CARTRIDGE, KIT BONE (inc. item 11)
10	385314349		WATER VALVE, KIT
11	385310683		SPRING CARTRIDGE, KIT
12	385345377		HOSE, SUPPLY - WHITE
	385340177		HOSE, SUPPLY - BONE
13	385316906		VACUUM BREAKER, KIT
14	385310696		VACUUM BREAKER COVER - WHITE
	385310782		VACUUM BREAKER COVER - BONE

Dometic Corporation - Sanitation Systems  
13128 State Rt. 226, P.O. Box 38  
Big Prairie, OH 44611-0038 USA  
Telephone: 330-496-3211  
Fax: 330-496-3097  
Email: sealand@dometicus.com