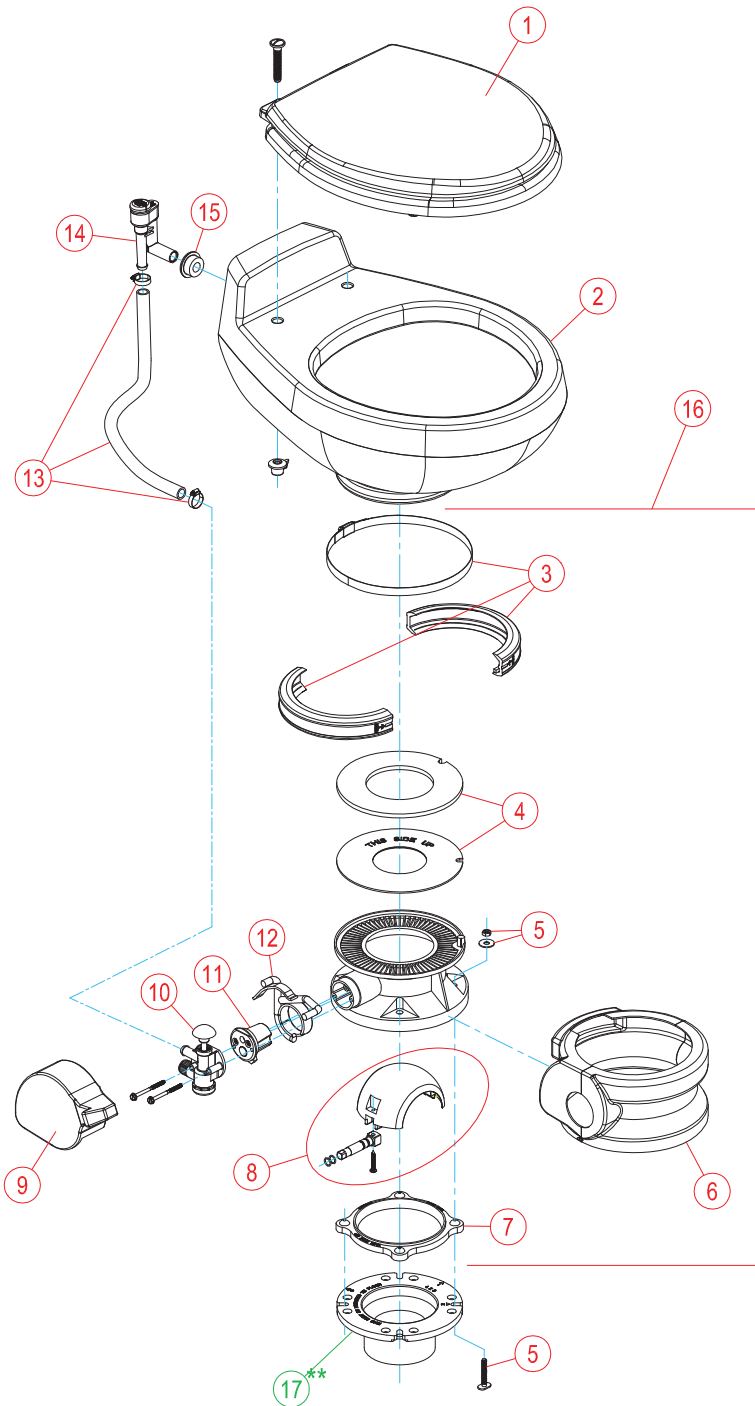


PARTS LIST: 511 PS MODEL SERIES



ITEM	PART NUMBER & DESCRIPTION
1	385343829 SEAT/COVER - WHITE
	385343831 SEAT/COVER - BONE
2	385310739 CHINA BOWL - WHITE
	385310740 CHINA BOWL - BONE
3	385310048 BOWL/BASE CLAMP KIT
4	385311462 FLUSH BALL SEAL REPL KIT
5	385310064 MOUNTING HARDWARE
6	385310108 PEDESTAL COVER - WHITE
	385310109 PEDESTAL COVER - BONE
7	385310063 FLOOR FLANGE SEAL **INCLUDES ITEM 5.
8	385318162 FLUSH BALL, SHAFT, CARTRIDGE KIT **INCLUDES ITEM 11.
9	385311551 PEDAL COVER - WHITE
	385311552 PEDAL COVER - BONE
10	385314349 WATER VALVE KIT
11	385236096 SPRING CARTRIDGE KIT
12	385311553 PEDAL/LEVER & CARTRIDGE KIT **INCLUDES ITEM 11.
13	385340177 BOWL WATER SUPPLY HOSE - WHITE
	385345377 BOWL WATER SUPPLY HOSE - BONE
14	385316906 VACUUM BREAKER KIT **INCLUDES ITEM 15.
15	385311164 1/2" SEALING GROMMET KIT
16	385312004 511PS BASE KIT - WHITE
	385312005 511PS BASE KIT - BONE **INCLUDES ITEMS 3-12.
17**	385345889 3" MPT FLOOR FLANGE
	385345892 3" SOCKET FLOOR FLANGE
	385343765 3" SPIGOT FLOOR FLANGE
	385310961 45° SWIVEL FLOOR FLANGE* *MUST BE USED WITH SEAL INCLUDED IN KIT.

** ITEM 17 IS SOLD SEPARATELY; NOT INCLUDED WITH THE TOILET.