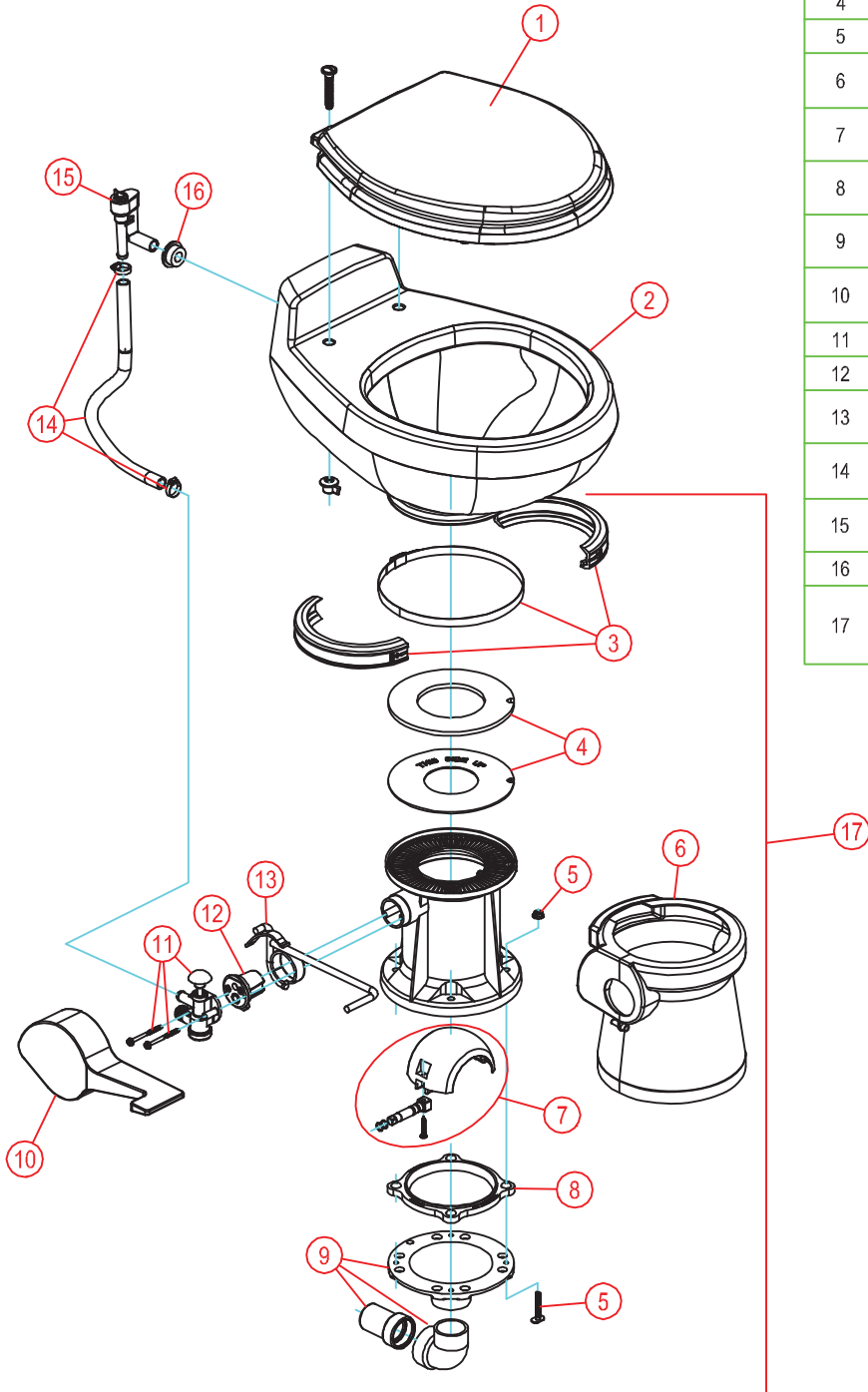


# PARTS LIST: VACUFLUSH 509+ SERIES



| ITEM | PART NUMBER & DESCRIPTION                                                                                        |
|------|------------------------------------------------------------------------------------------------------------------|
| 1    | 385343829 SEAT/COVER - WHITE<br>385343831 SEAT/COVER - BONE                                                      |
| 2    | 385310739 CHINA BOWL KIT - WHITE<br>385310740 CHINA BOWL KIT - BONE                                              |
| 3    | 385310048 BOWL/BASE CLAMP KIT                                                                                    |
| 4    | 385311462 FLUSH BALL SEAL REP'L KIT                                                                              |
| 5    | 385310064 MOUNTING HARDWARE                                                                                      |
| 6    | 385310111 PEDESTAL COVER - WHITE<br>385310112 PEDESTAL COVER - BONE                                              |
| 7    | 385318162 FLUSH BALL, SHAFT, CARTRIDGE KIT<br>**INCLUDES ITEM 12                                                 |
| 8    | 385310063 FLOOR FLANGE SEAL<br>**INCLUDES ITEM 5                                                                 |
| 9    | 385318864 FUNNEL KIT ('06/'09 MODELS)<br>**INCLUDES ITEM 5 & 8                                                   |
| 10   | 385310114 PEDAL COVER - WHITE<br>385310115 PEDAL COVER - BONE                                                    |
| 11   | 385314349 WATER VALVE KIT                                                                                        |
| 12   | 385236096 SPRING CARTRIDGE KIT                                                                                   |
| 13   | 385310578 PEDAL/LEVER & CARTRIDGE KIT<br>**INCLUDES ITEM 12                                                      |
| 14   | 385345377 BOWL WATER SUPPLY HOSE - WHITE<br>385340177 BOWL WATER SUPPLY HOSE - BONE                              |
| 15   | 385316906 VACUUM BREAKER KIT<br>**INCLUDES ITEM 16                                                               |
| 16   | 385311164 1/2" SEALING GROMMET                                                                                   |
| 17   | 385311772 '09 BASE KIT METAL LEVER - WHITE<br>385311892 '09 BASE KIT METAL LEVER - BONE<br>**INCLUDES ITEMS 3-13 |

Dometic Corporation - Sanitation Systems  
13128 State Rt. 226, P.O. Box 38  
Big Prairie, OH 44611-0038 USA  
Telephone: 330-496-3211  
Fax: 330-496-3097  
Email: sealand@dometicus.com