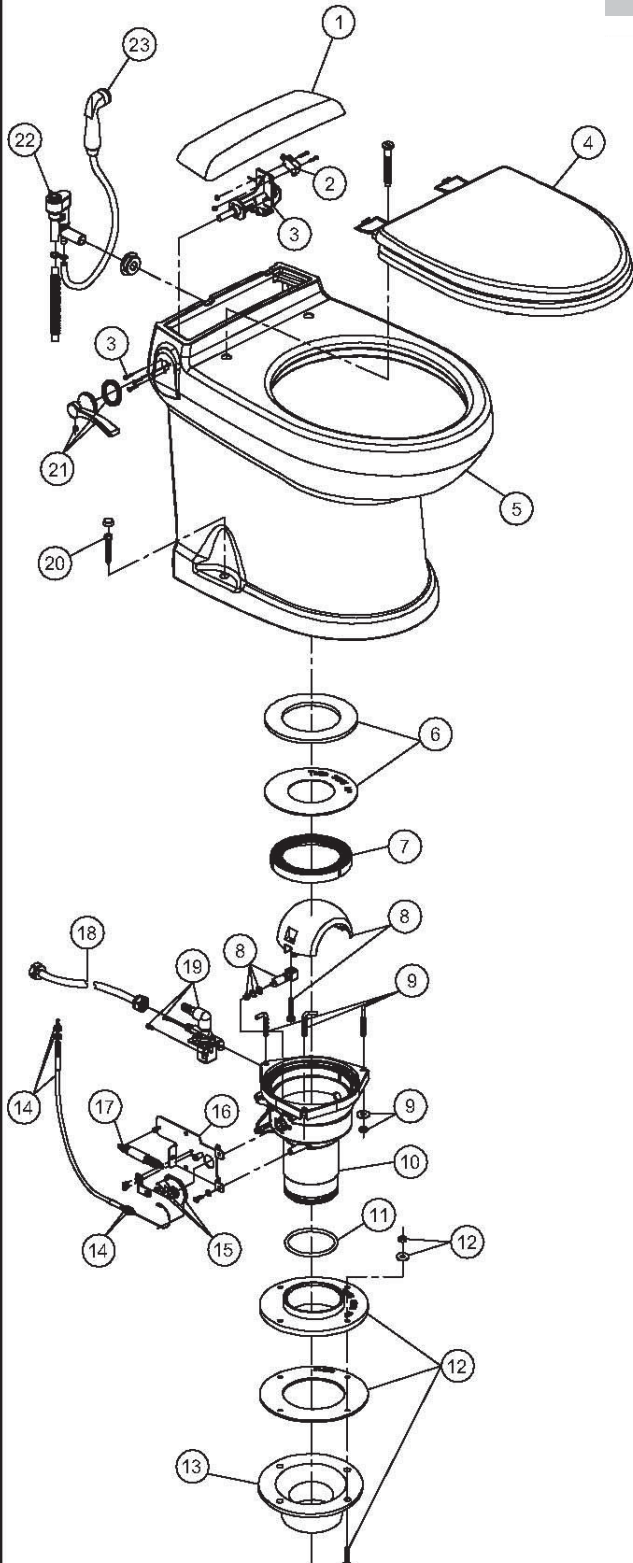


## PARTS LIST: 3200 PLUG IN BASE



ITEM	PART NO.	DESCRIPTION
1	385311001	ACCESS COVER, WHITE
	385311002	ACCESS COVER, BONE
2	385311003	FLUSH SWITCH ASSY
3	385311004	FLUSH SHAFT HANDLE KIT
4	385311005	SEAT & LID WHITE
	385311006	SEAT & LID BONE
5	385311007	CHINA BOWL, WHITE (inc. lid & dual lock)
	385311008	CHINA BOWL, BONE (inc. lid & dual lock)
6	385311009	BOWL SEAL KIT
7	600343534	RING BASE INSERT
8	385311010	SHAFT/HALF BALL KIT
9	385311011	J-BOLT W/NUTS, WASHER
10	385311028	CONCERTO BASE
11	600344609	O'RING 3.1 X 3.5 X .21
12	385311013	FLOOR FLANGE ADAPTER KIT
	385343765	FLOOR FLANGE 3" SPIGOT
	385345892	FLOOR FLANGE 3" HUB
	385345889	FLOOR FLANGE 3" MALE PIPE THREAD
13*	385310961	FLOOR FLANGE 45° SWIVEL *must use with seal included in kit.
	385311014	FLUSH CABLE KIT
	385311015	PULLEY KIT
	385311016	BASE BRACKET
17	385311017	RETURN SPRING KIT
18	385311018	SUPPLY, HOSE
19	385310821	KIT, WATER VALVE12
20	385311020	MOUNTING HARDWARE CHROME
	385311021	MOUNTING HARDWARE GOLD
	385311022	KIT, CON'TO MT'G HARD-BONE/WHT
21	385311023	FLUSH HANDLE CHROME
	385311024	FLUSH HANDLE GOLD
	385311025	FLUSH HANDLE NICKEL
22	385310807	KIT, VAC BRK'R ASY/PLUGIN BASE
	385310808	KIT, VAC BRK'K SPRAY/PLUGIN BASE
23	385310809	HAND SPRAY, CHROME

\*ITEM 13 SOLD SEPARATELY

Dometic Corporation - Sanitation Systems  
13128 State Rt. 226, P.O. Box 38  
Big Prairie, OH 44611-0038 USA  
Telephone: 330-496-3211  
Fax: 330-496-3097  
Email: sealand@dometicusa.com