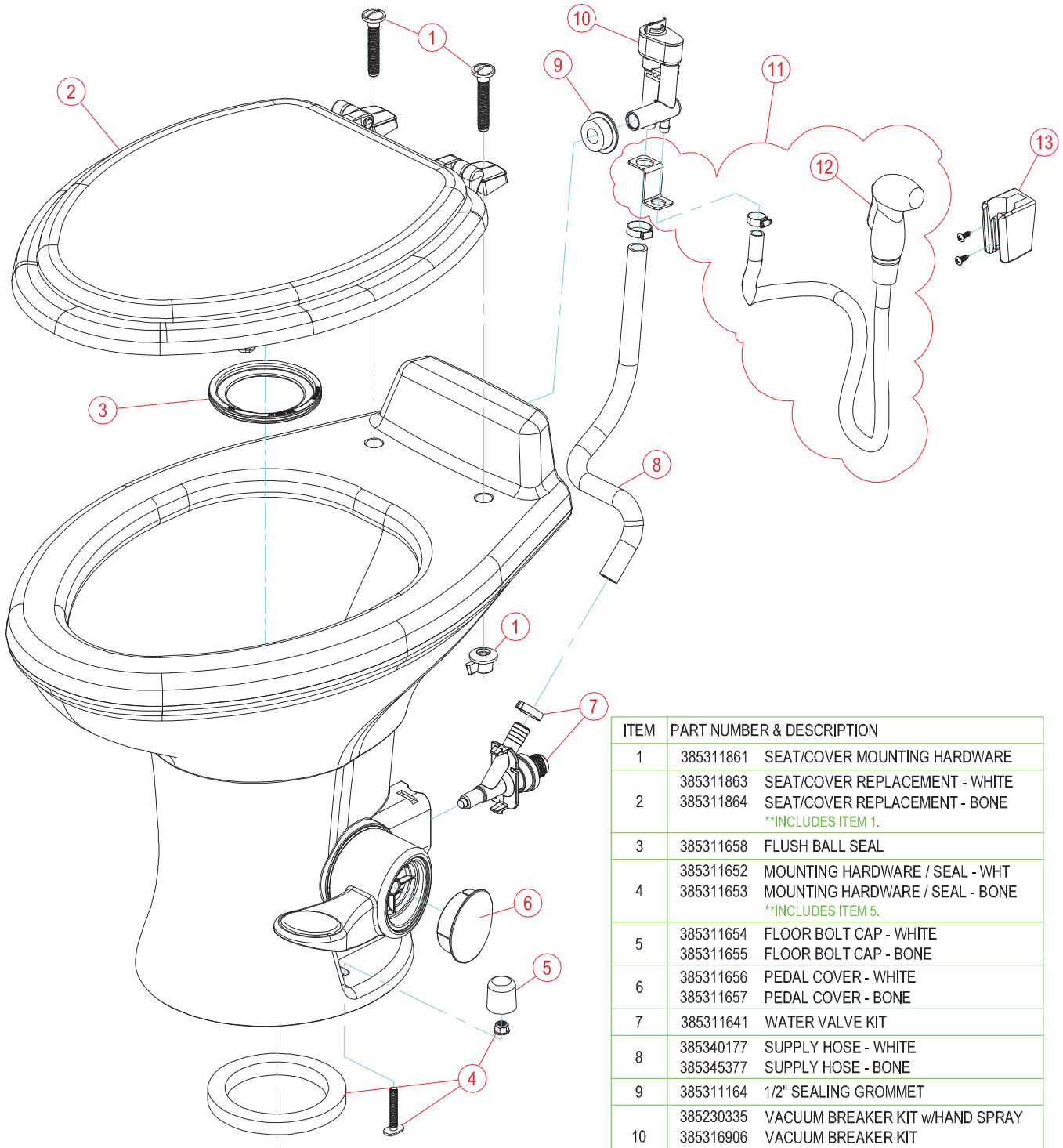


PARTS LIST: 320 GRAVITY FLUSH TOILET



ITEM	PART NUMBER & DESCRIPTION
1	385311861 SEAT/COVER MOUNTING HARDWARE 385311863 SEAT/COVER REPLACEMENT - WHITE 385311864 SEAT/COVER REPLACEMENT - BONE **INCLUDES ITEM 1.
3	385311658 FLUSH BALL SEAL
4	385311652 MOUNTING HARDWARE / SEAL - WHT 385311653 MOUNTING HARDWARE / SEAL - BONE **INCLUDES ITEM 5.
5	385311654 FLOOR BOLT CAP - WHITE 385311655 FLOOR BOLT CAP - BONE
6	385311656 PEDAL COVER - WHITE 385311657 PEDAL COVER - BONE
7	385311641 WATER VALVE KIT
8	385340177 SUPPLY HOSE - WHITE 385345377 SUPPLY HOSE - BONE
9	385311164 1/2" SEALING GROMMET
10	385230335 VACUUM BREAKER KIT w/HAND SPRAY 385316906 VACUUM BREAKER KIT **INCLUDES ITEM 9.
11*	385319054 HAND SPRAY KIT w/VAC BREAKER - WHT **INCLUDES ITEMS 9, 10, 12.
12*	385311124 HAND SPRAYER - WHITE **INCLUDES ITEM 13.
13*	385230319 HAND SPRAY BRACKET w/SCREW-WHT

*ITEMS 11, 12, & 13 ARE OPTIONAL ACCESSORIES;
NOT PROVIDED WITH EVERY MODEL